

1-5-3 Paper feed section

(1) Detaching and refitting the paper feed roller

Procedure

1. Pull out the cassette.
2. Release the lock by pulling the lever.
3. Remove the paper feed roller assembly by pulling and raising and then sliding forward.
4. Check or replace the paper feed roller and refit all the removed parts.

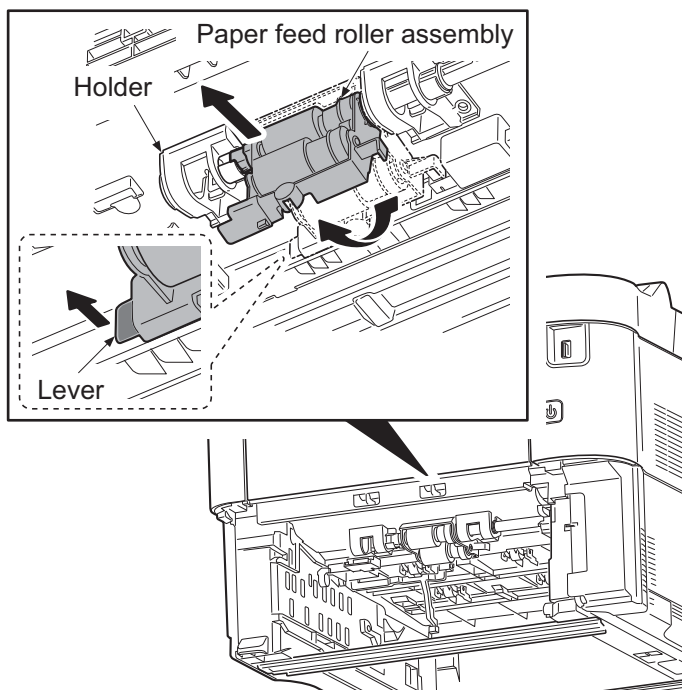


Figure 1-5-12

(2) Detaching and refitting the retard roller

Procedure

1. Release two hooks in backside of cassette and then remove the retard roller assembly.

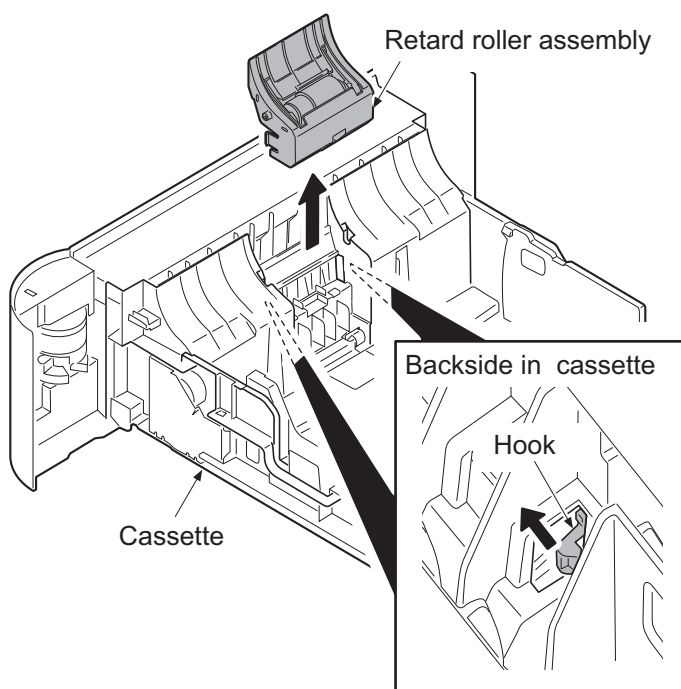


Figure 1-5-13

2. Remove the spring.
3. Remove the retard roller holder by rotating.
4. Check or replace the retard roller and refit all the removed parts.

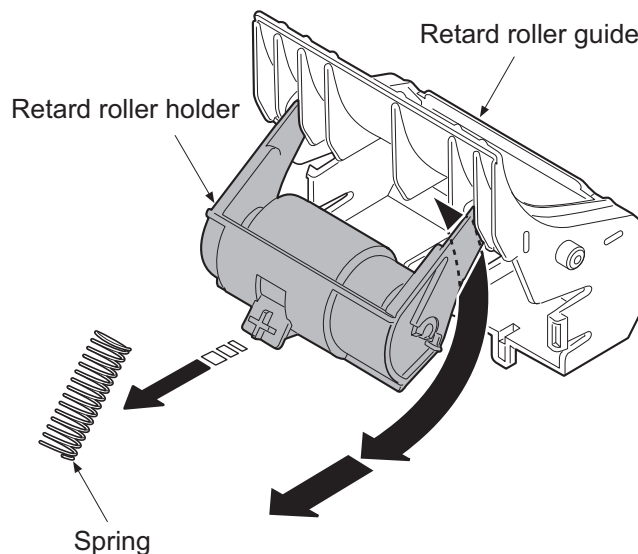


Figure 1-5-14

(3) Detaching and refitting the MP paper feed pulley

Procedure

1. Open the top cover.
2. Open the front cover.
3. Remove the MP tray from the printer while bending it.

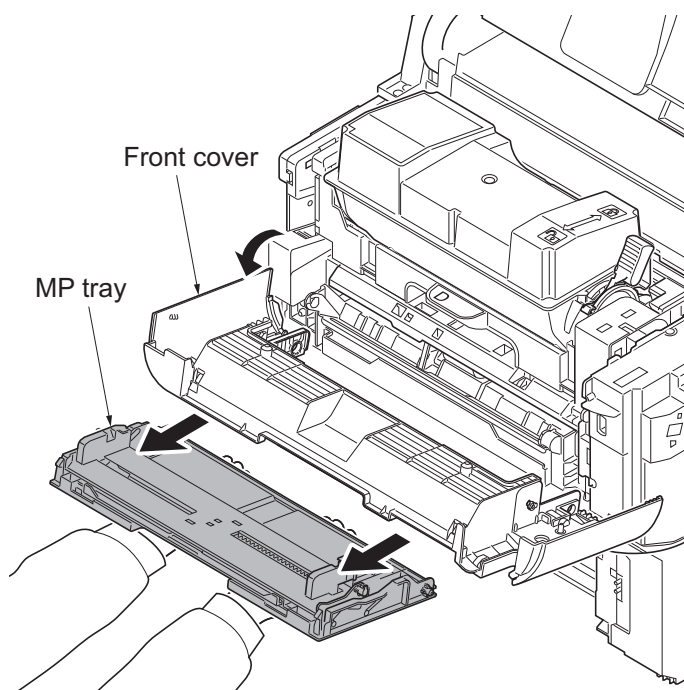


Figure 1-5-15

4. Remove the fulcrum of leftside by extending a cover.
5. Remove the fulcrum of rightside during twisting a cover.
6. Remove the front cover forward.

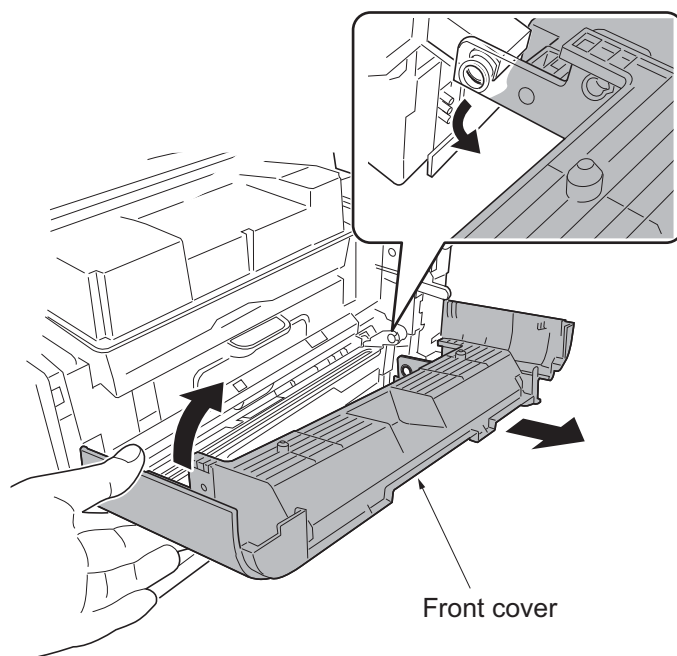
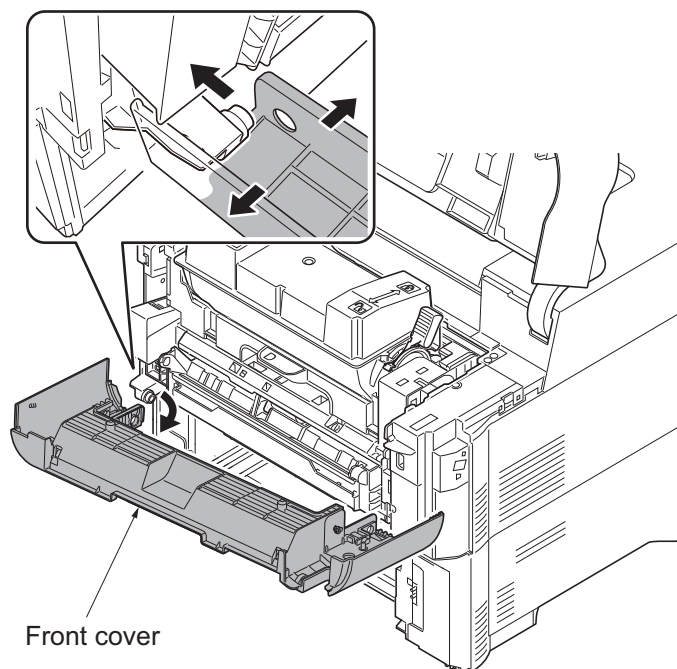


Figure 1-5-16

7. Remove two screws on the MP paper feed unit.

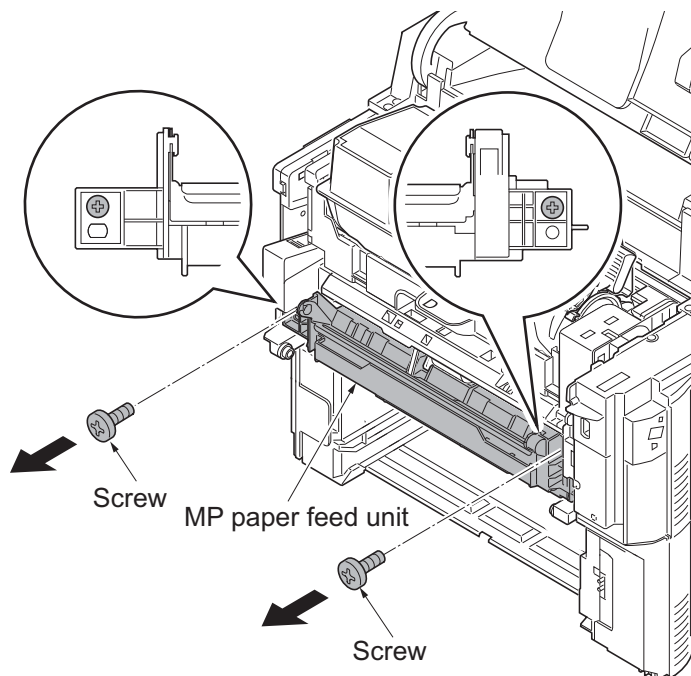


Figure 1-5-17

8. Remove the MP paper feed unit from the printer.

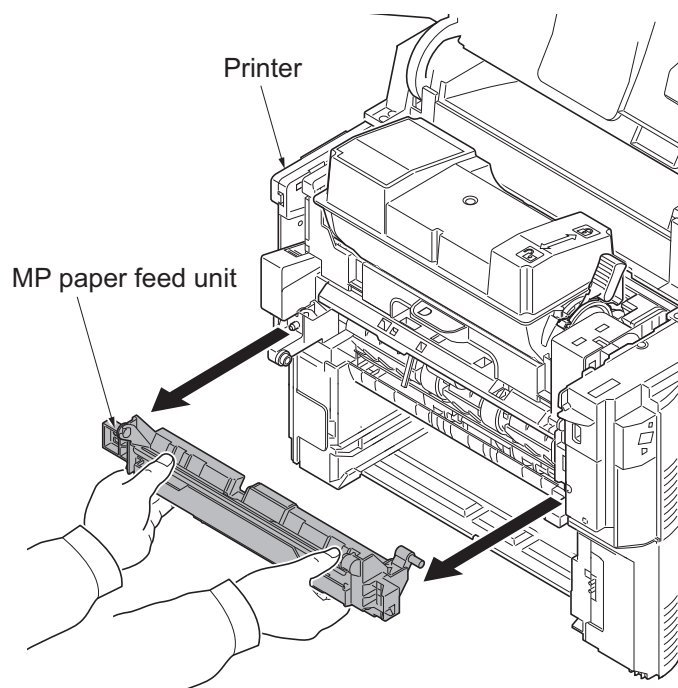


Figure 1-5-18

9. Release the lock lever and then slide the MP paper feed pulley axis.
10. Remove MP paper feed pulley.
11. Check or replace the MP paper feed pulley and refit all the removed parts.

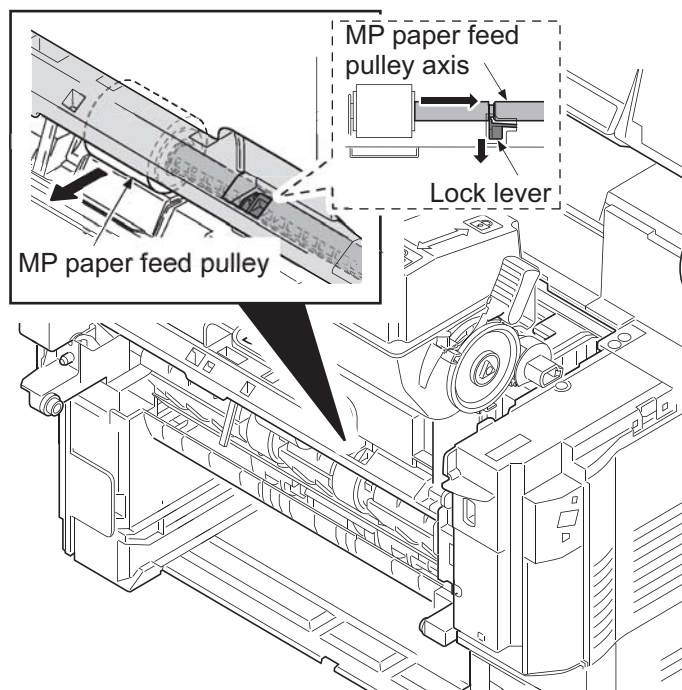


Figure 1-5-19