

1-5-3 Paper feed section

(1) Detaching and refitting the paper feed assembly (paper feed roller and pickup roller)

Procedure

1. Remove the cassette.

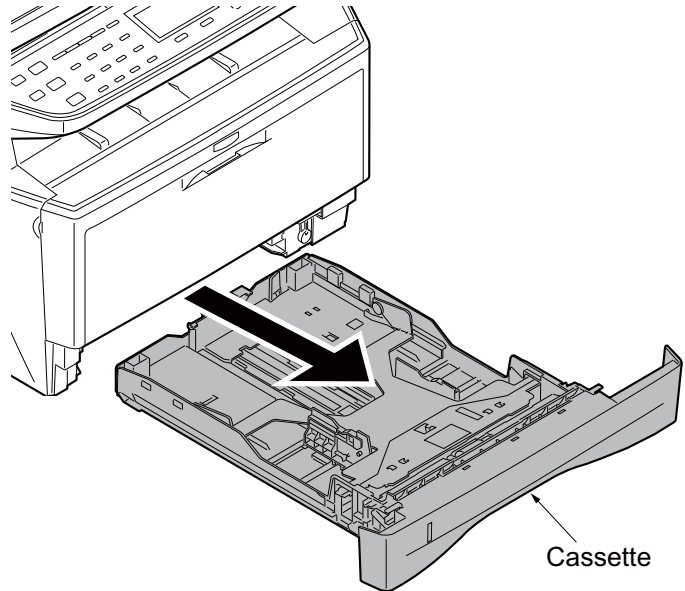


Figure 1-5-7

2. Slide the feed shaft.
3. While pressing the lever and then remove the paper feed roller assembly.

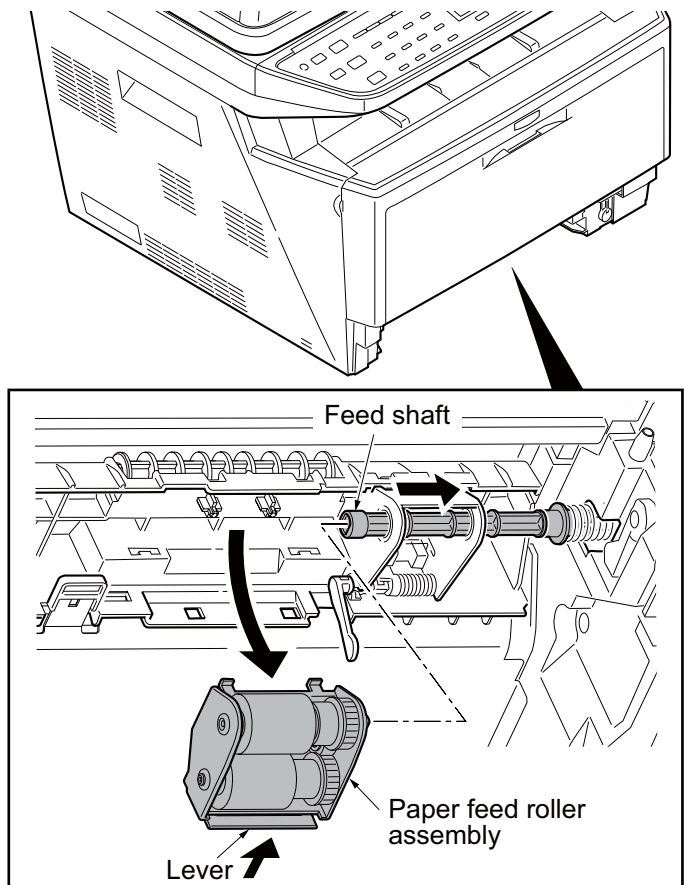


Figure 1-5-8

4. Check or replace the paper feed roller assembly and refit all the removed parts.

When refitting the paper feed roller assembly, be sure to align the paper feed roller pivot with the slotted hole on the feed shaft.

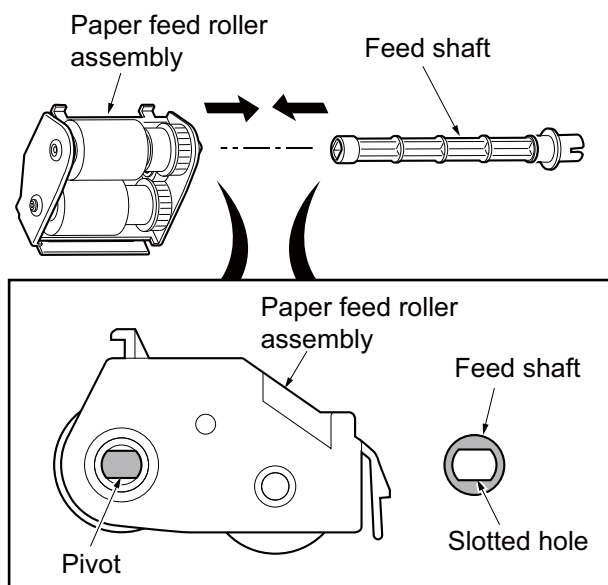


Figure 1-5-9

(2) Detaching and refitting the retard roller assembly

Procedure

1. Remove the cassette (See page 1-5-6).
2. Push the bottom plate down until it locks.
3. Unhook two hooks and then remove the retard guide.

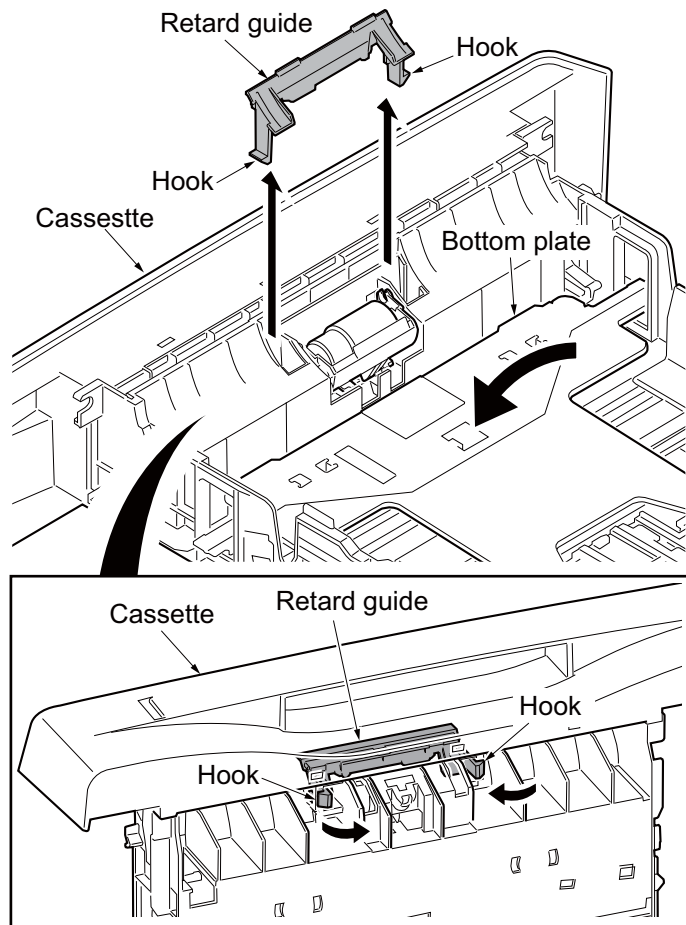


Figure 1-5-10

4. Remove the retard roller assembly.

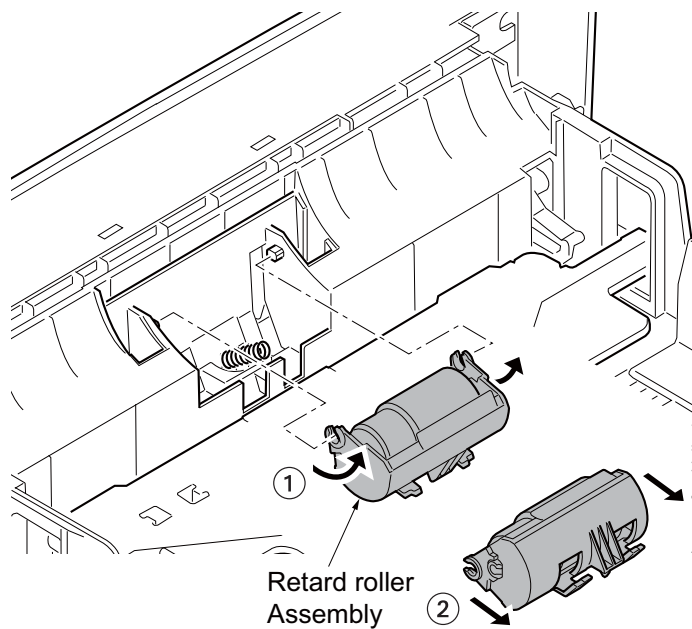


Figure 1-5-11

5. Check or replace the retard roller assembly and refit all the removed parts.

Caution: Before refitting the retard roller assembly, firmly install the spring onto the projection of the retard roller assembly.

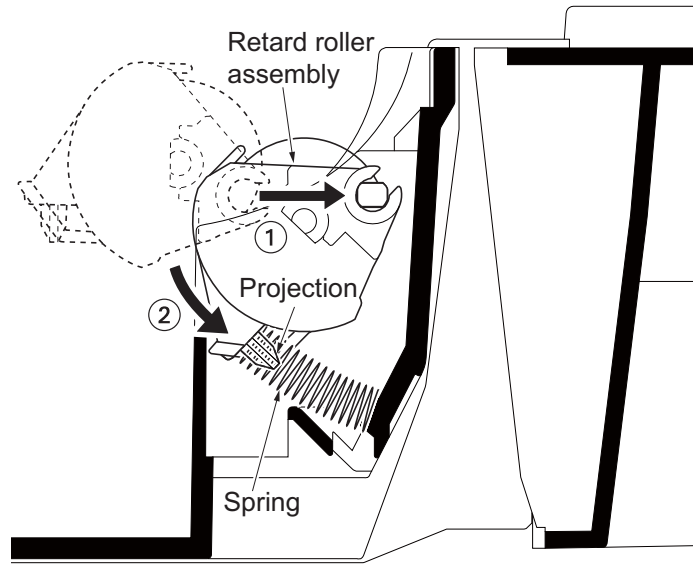


Figure 1-5-12