

Tray 2 pickup roller



NOTE Also follow these instructions to remove any optional-tray pickup rollers.

1. Tip the device over on its rear side, with the top of the device facing you.
2. Rotate the bushings (callout 1) on each side of the roller upward.

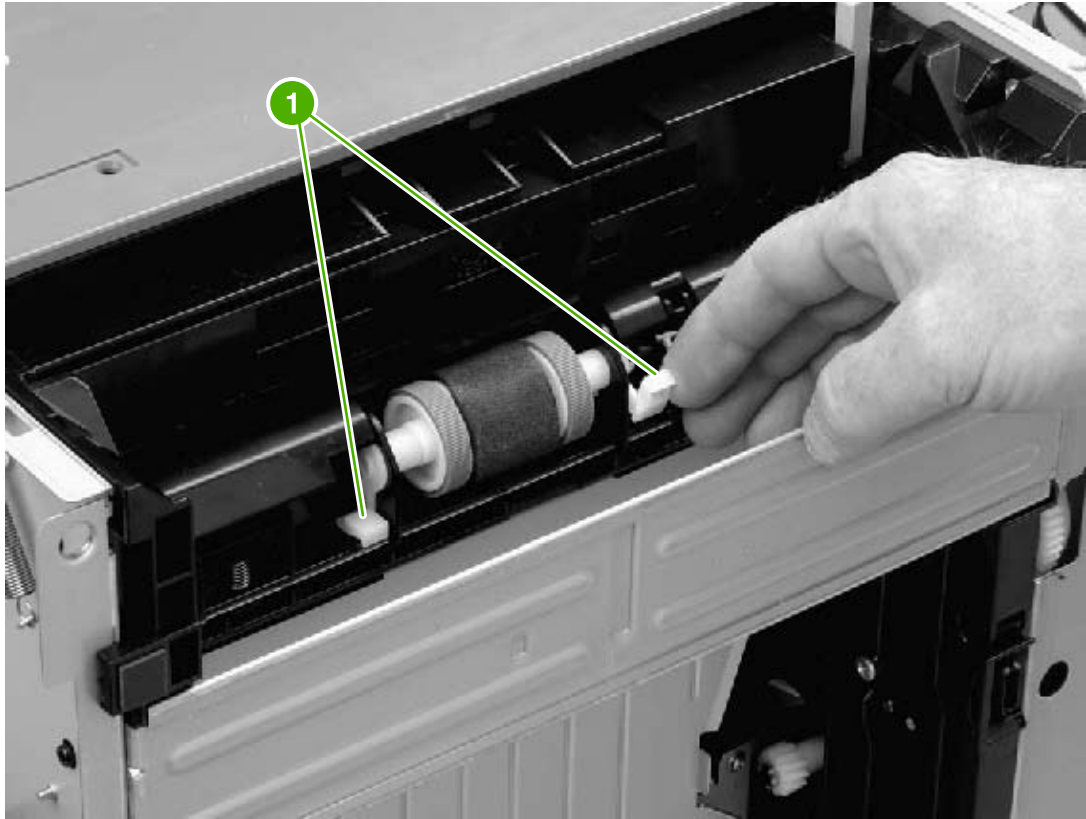


Figure 5-104 Removing the tray 2 pickup roller (1 of 2)

3. Remove the left-side bushing by sliding the bushing to the left.
4. Slide the roller and shaft toward the left until they clear the hole in the right-side bushing, and then lift the right end of the shaft.

5. Slide the roller and shaft toward the right, and then lift the roller and shaft together out of the device.

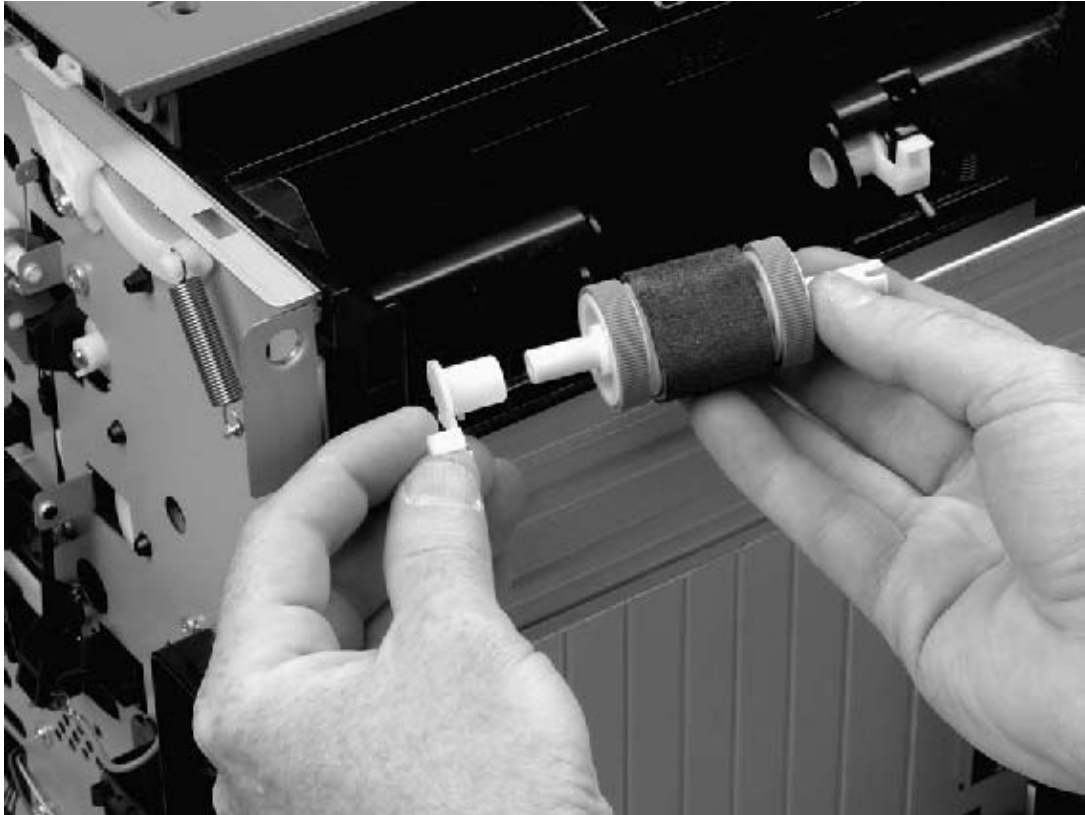


Figure 5-105 Removing the tray 2 pickup roller (2 of 2)

Separation pad



NOTE To replace a separation pad, replace the entire separation-pad assembly.

1. Pull the tray out of the device.
2. Remove two screws (callout 1) from the separation-pad assembly.

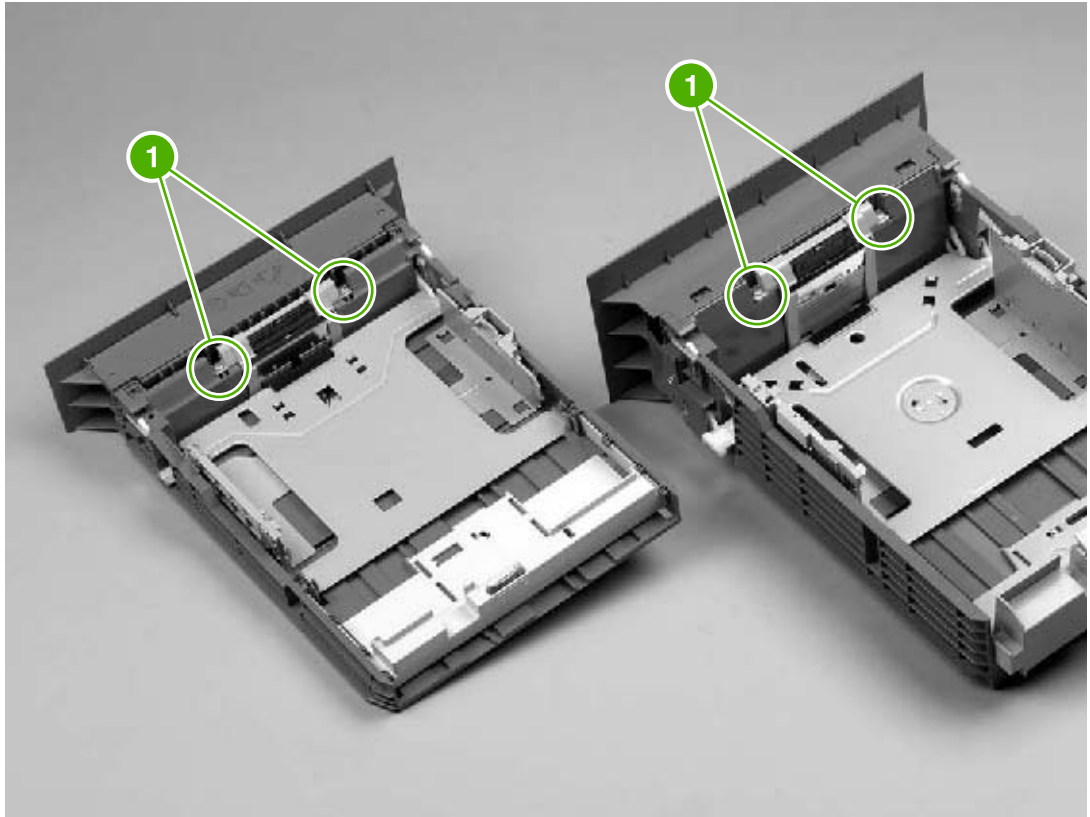


Figure 5-106 Removing the separation pad

3. Lift the assembly out of the tray.