

Removal and replacement: Pickup, feed, and separation rollers (Trays 2-6 and 1,500-sheet high-capacity input feeder)

- [Introduction](#)
- [Step 1: Remove the tray](#)
- [Step 2: Remove the pickup, feed, and separation rollers \(trays 2-6\)](#)
- [Step 3: Unpack the replacement pickup, feed, and separation rollers](#)
- [Step 4: Install the pickup, feed, and separation rollers \(trays 2-6\)](#)
- [Step 5: Install the tray](#)
- [Step 6: Remove the pickup, feed, and separation rollers \(HCI\)](#)
- [Step 7: Unpack the replacement pickup, feed, and separation rollers](#)
- [Step 8: Install the pickup, feed, and separation rollers \(HCI\)](#)


Introduction

This document provides the procedures to remove and replace the pickup, feed, and separation rollers for Tray 2, the optional 500-sheet paper feeders, and the 1,500-sheet high-capacity input feeder (HCI).

Before performing service

Turn the printer power off

- Disconnect the power cable.

 **WARNING!** To avoid damage to the printer, turn the printer off, wait 30 seconds, and then remove the power cord before attempting to service the printer.

Use the table below to identify the correct part number for your printer. To order the part, go to www.hp.com/buy/parts.

Trays 2-6 pickup, feed, and separation rollers part number	
------------------------------------------------------------	--

E6B67-67905

Trays 2-6 rollers with instruction guide

Required tools

- No special tools are required to install this part.

After performing service

Turn the printer power on

- Connect the power cable.
- Use the power switch to turn the power on.

Post service test

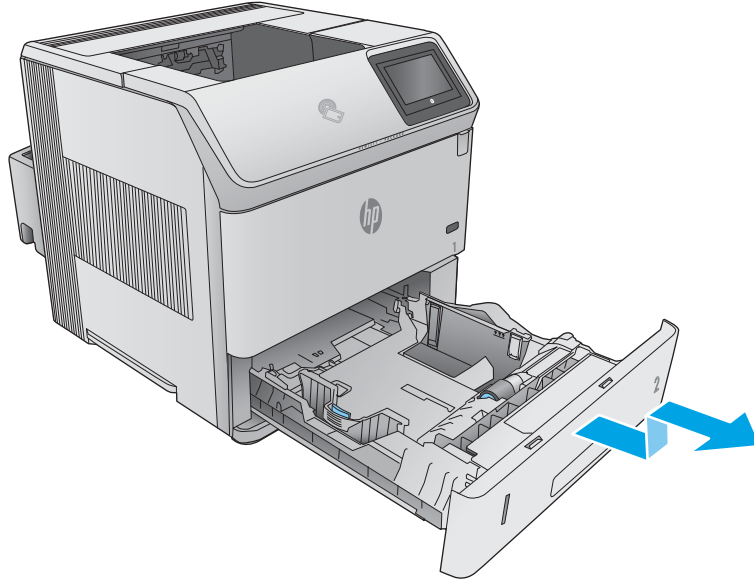
Make sure that the printer initializes to a **Ready** state.

Print a configuration page to make sure that the printer is functioning correctly.

Step 1: Remove the tray

- ▲ Pull the tray out, slightly lift up, and then pull it completely out of the printer to remove it.

Figure 1-33 Remove the tray

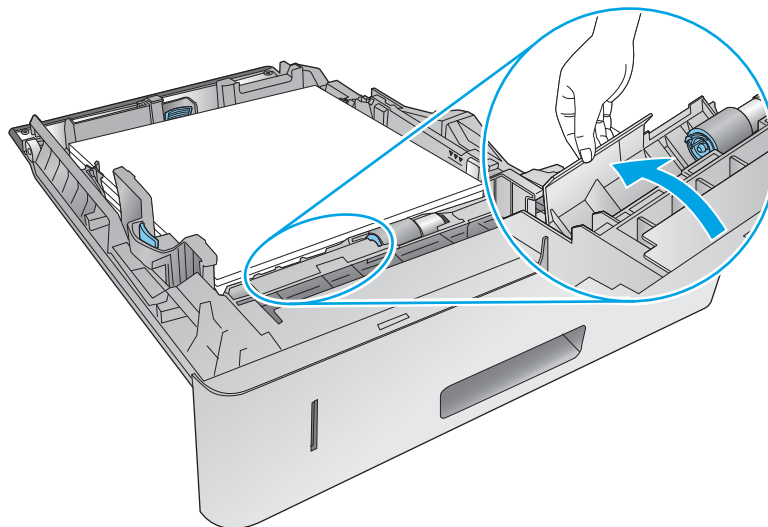


Step 2: Remove the pickup, feed, and separation rollers (trays 2-6)

CAUTION: When handling the rollers, avoid touching the roller surfaces. Skin oils and fingerprints on a roller surface can cause print-quality problems.

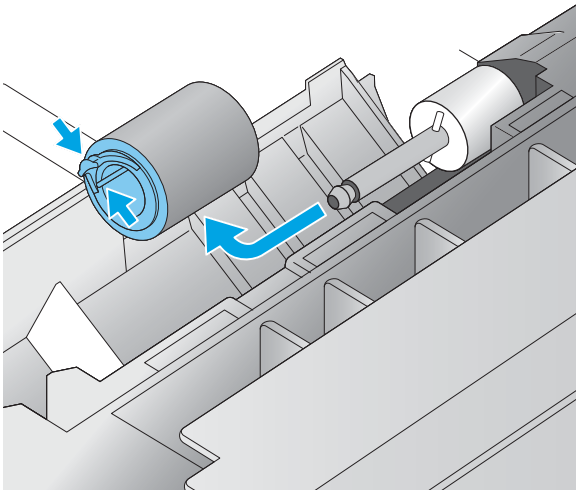
1. Place the tray on a level work surface. Locate and open the spring-loaded cover that is next to the roller in the tray.

Figure 1-34 Open the cover



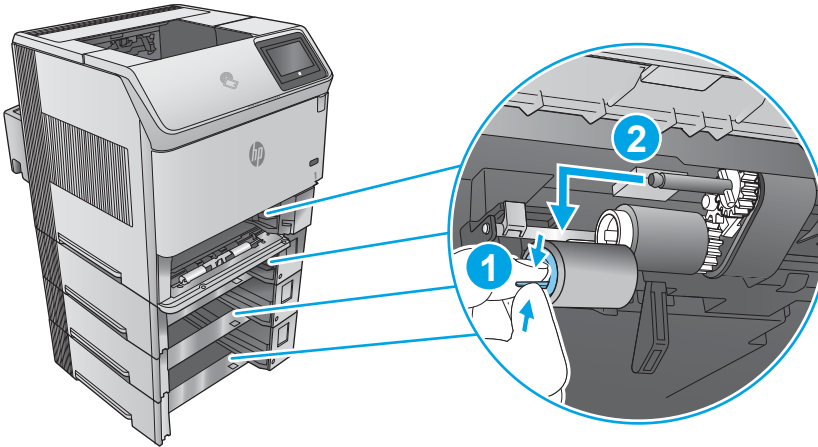
2. Pinch the blue tab that is on the left side of the roller, and then slide the roller off of the shaft.

Figure 1-35 Remove the feed roller



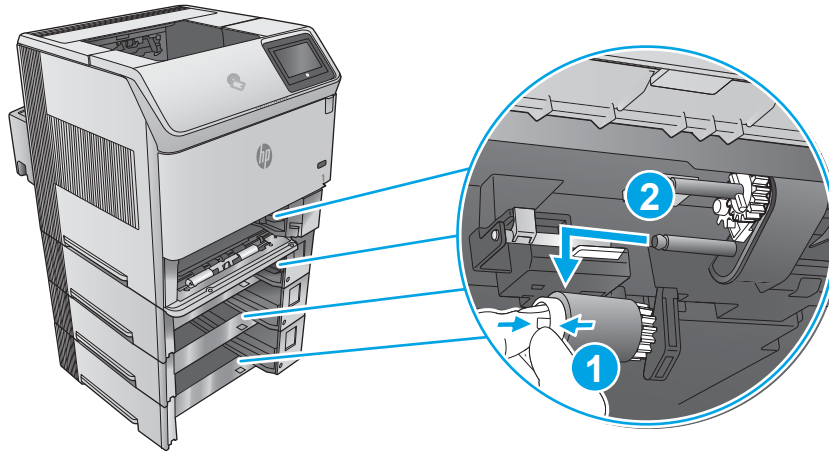
3. Inside the tray cavity, pinch the blue tab that is on the left side of the upper feed roller (callout 1), and then slide the roller off of the shaft (callout 2).

Figure 1-36 Remove the feed roller



4. Inside the tray cavity, pinch the blue tab that is on the left side of the lower pick roller (callout 1), and then slide the roller off of the shaft (callout 2).

Figure 1-37 Remove the pick roller



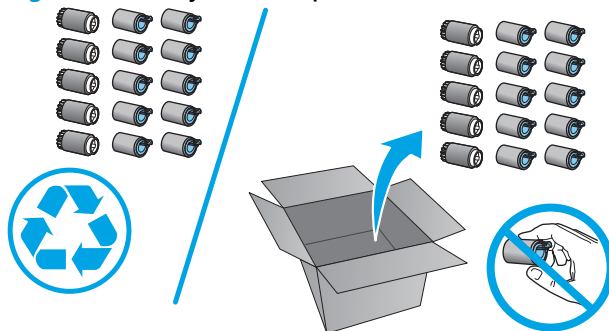
Step 3: Unpack the replacement pickup, feed, and separation rollers

Unpack the replacement parts from the packaging.

<http://www8.hp.com/us/en/hp-information/environment/product-recycling.html>

 **NOTE:** HP recommends responsible disposal of the defective parts.

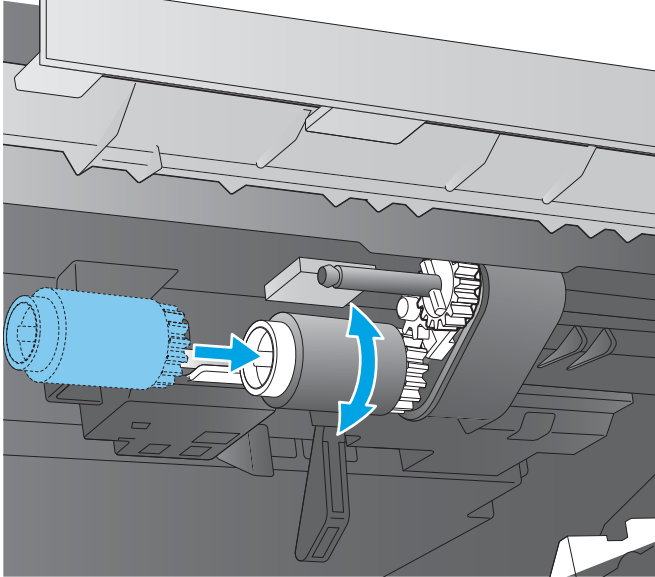
Figure 1-38 Recycle and unpack



Step 4: Install the pickup, feed, and separation rollers (trays 2-6)

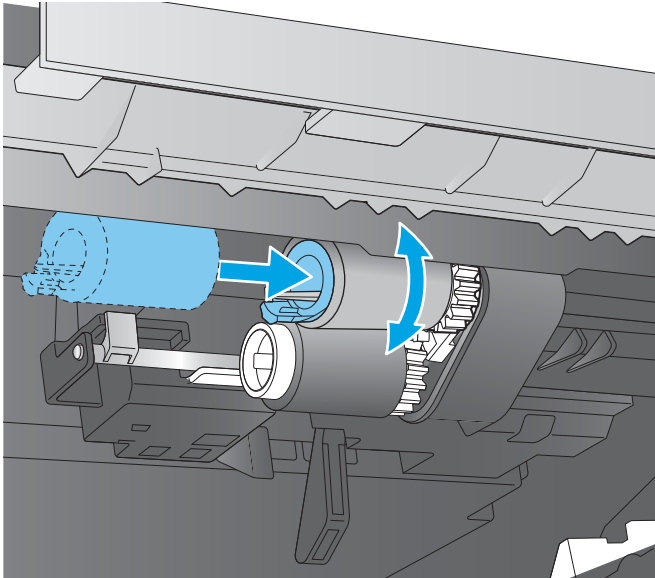
1. Inside the tray cavity, slide the lower pick roller onto the shaft. You might have to rotate the roller while sliding it onto the shaft to make sure it clicks into place.

Figure 1-39 Install the pick roller



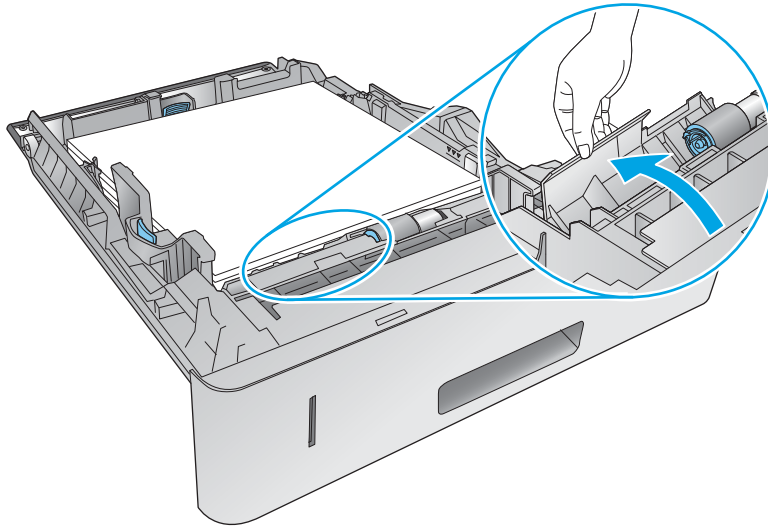
2. Inside the tray cavity, slide the upper feed roller onto the shaft. You might have to rotate the roller while sliding it onto the shaft to make sure it clicks into place.

Figure 1-40 Install the feed roller



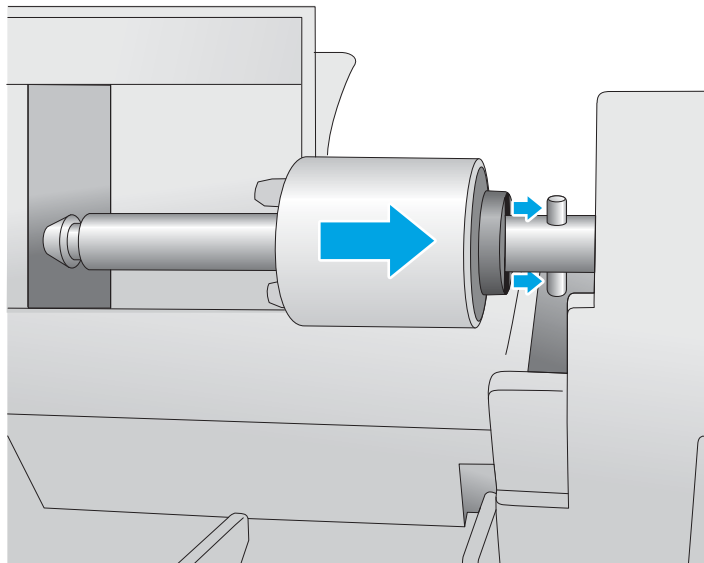
3. Open the spring-loaded cover that is next to the roller in the tray.

Figure 1-41 Open the cover



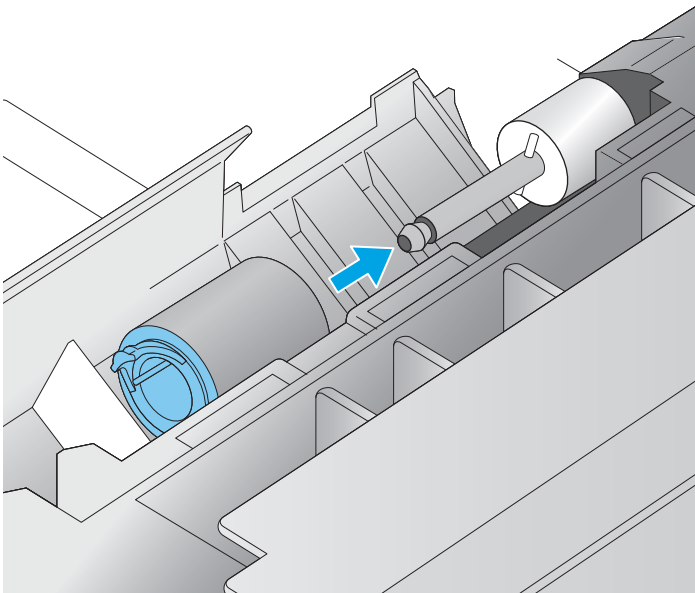
4. Before installing the feed roller, make sure that the torque limiter (the white roller on the shaft next to the feed roller) is correctly positioned against the locking pins on the shaft.

Figure 1-42 Align the torque limiter



5. Slide the feed roller onto the shaft. You might have to rotate the roller while sliding it onto the shaft to make sure it clicks into place.

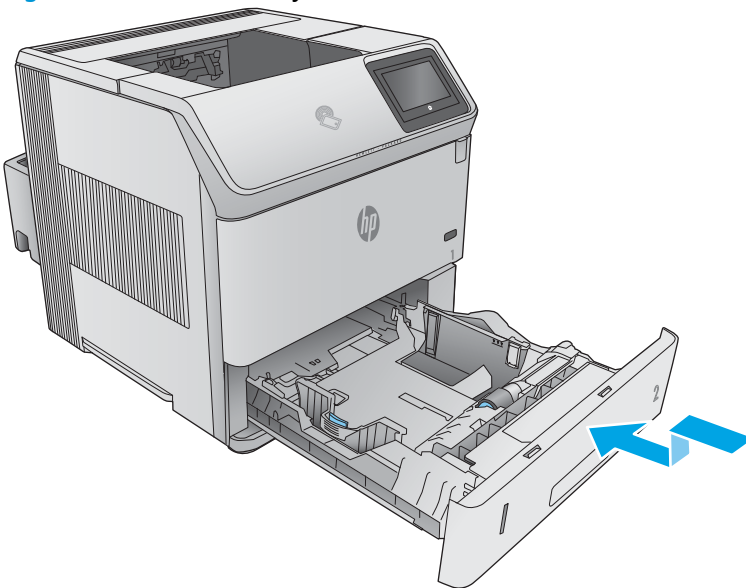
Figure 1-43 Install the feed roller



Step 5: Install the tray

- ▲ Lift the tray up slightly and install the back edge of the tray into the tray cavity. Lower the tray, and then slide it into the printer.

Figure 1-44 Install the tray

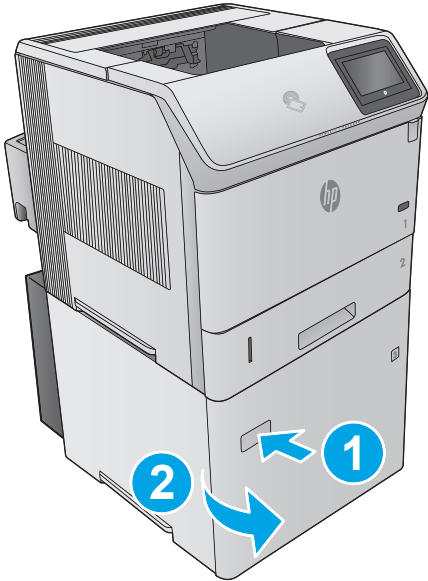


Step 6: Remove the pickup, feed, and separation rollers (HCI)

If the printer does not have the optional HCI installed, skip the remaining steps in this procedure.

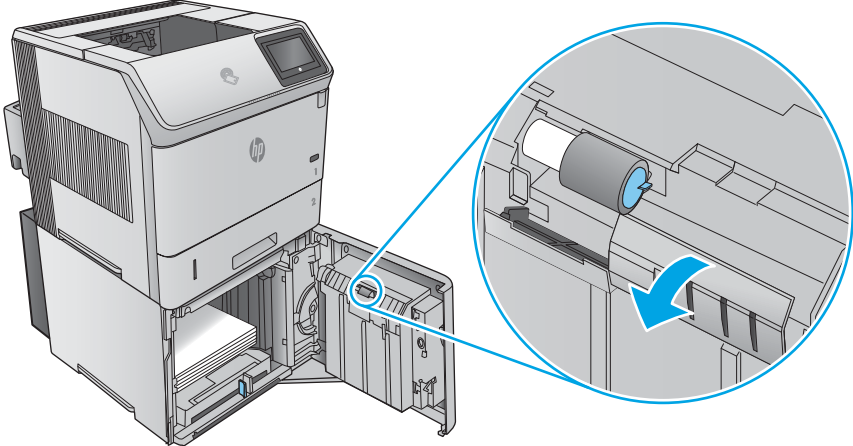
1. Press on the latch (callout 1), and then open the feeder door (callout 2).

Figure 1-45 Open the feeder door



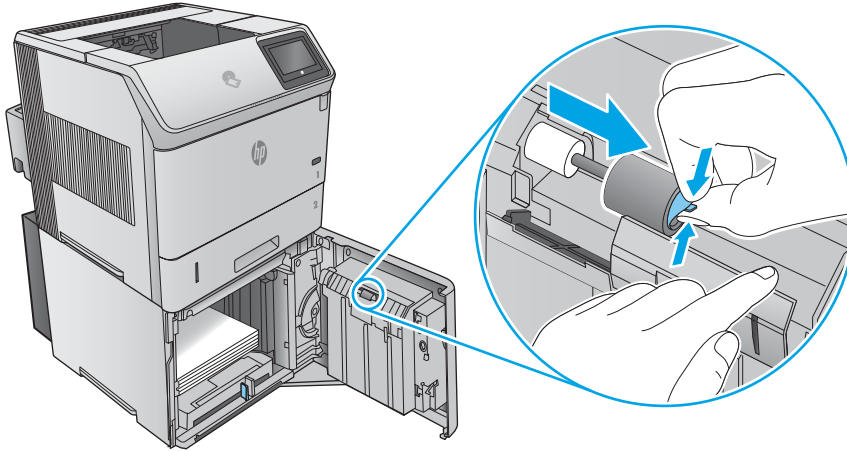
- 2. Open the separation-roller cover.

Figure 1-46 Open the separation-roller cover



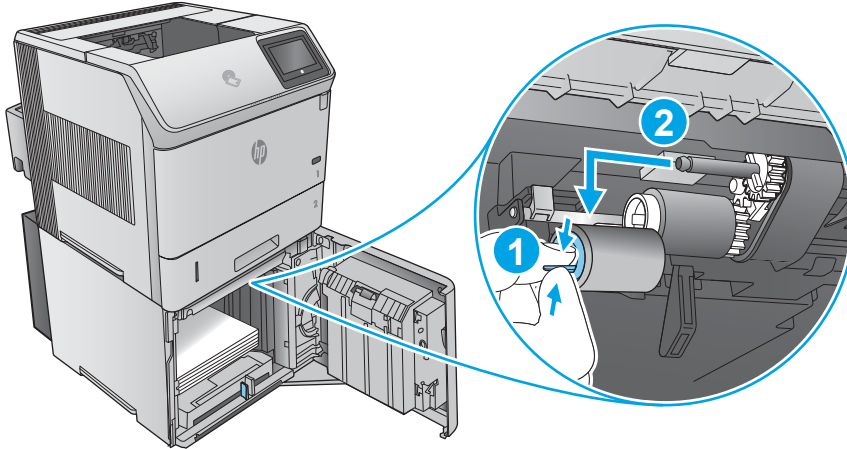
3. Pinch the blue tab that is on the left side of the separation roller, and then slide the roller off of the shaft.

Figure 1-47 Remove the separation roller



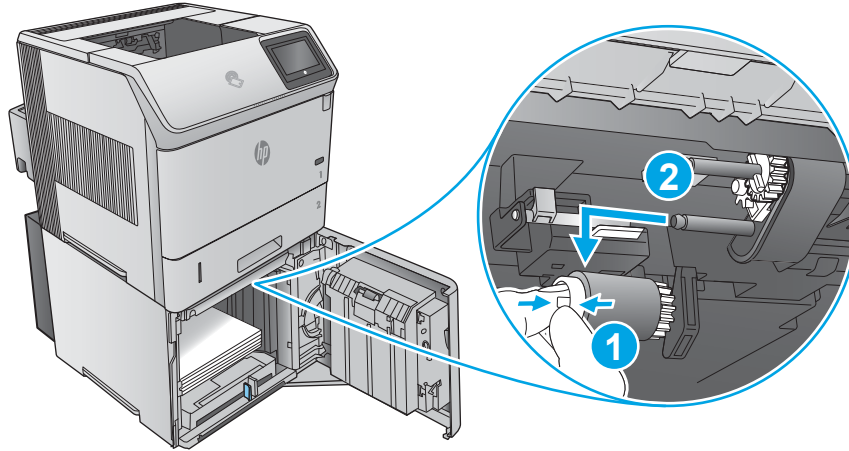
4. Inside the tray cavity, pinch the blue tab that is on the left side of the upper feed roller (callout 1), and then slide the roller off of the shaft (callout 2).

Figure 1-48 Remove the feed roller



5. Inside the tray cavity, pinch the blue tab that is on the left side of the lower pick roller (callout 1), and then slide the roller off of the shaft (callout 2).

Figure 1-49 Remove the pick roller



Step 7: Unpack the replacement pickup, feed, and separation rollers

Unpack the replacement parts from the packaging.

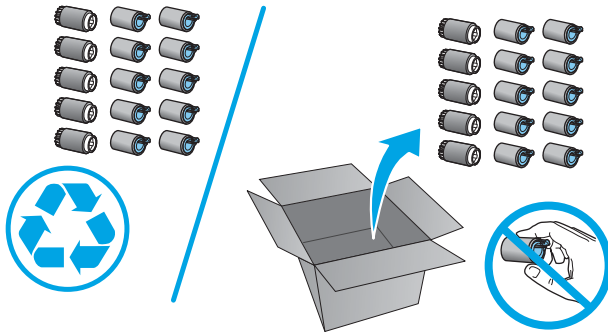
<http://www8.hp.com/us/en/hp-information/environment/product-recycling.html>

CAUTION: When handling the rollers, avoid touching the roller surfaces. Skin oils and fingerprints on a roller surface can cause print-quality problems.

NOTE: HP recommends responsible disposal of the defective parts.

The number of rollers replaced depends upon the number of input accessories installed.

Figure 1-50 Recycle and unpack



Step 8: Install the pickup, feed, and separation rollers (HCI)

CAUTION: When handling the rollers, avoid touching the roller surfaces. Skin oils and fingerprints on a roller surface can cause print-quality problems.

1. Inside the tray cavity, slide the lower pick roller onto the shaft. You might have to rotate the roller while sliding it onto the shaft to make sure it clicks into place.