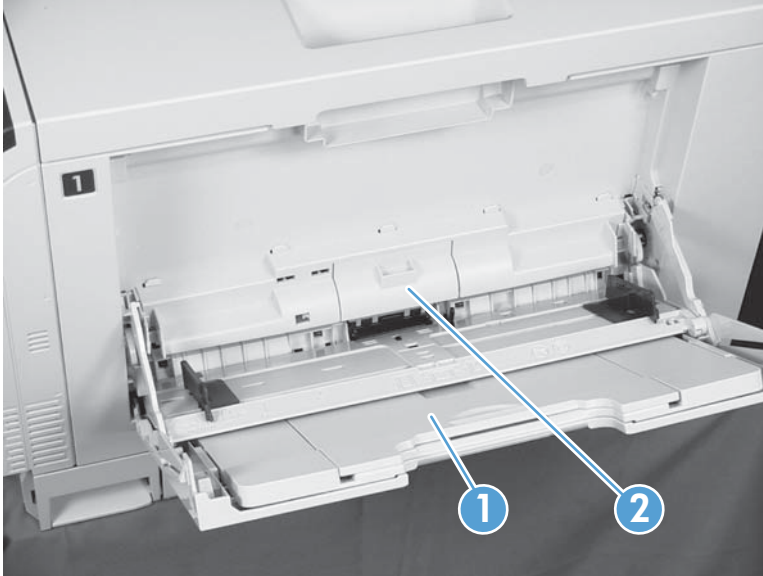


Pickup roller (Tray 1)

△ **CAUTION:** Do not touch the spongy roller surface unless you are replacing the roller. Skin oils on the roller can cause paper pickup problems.

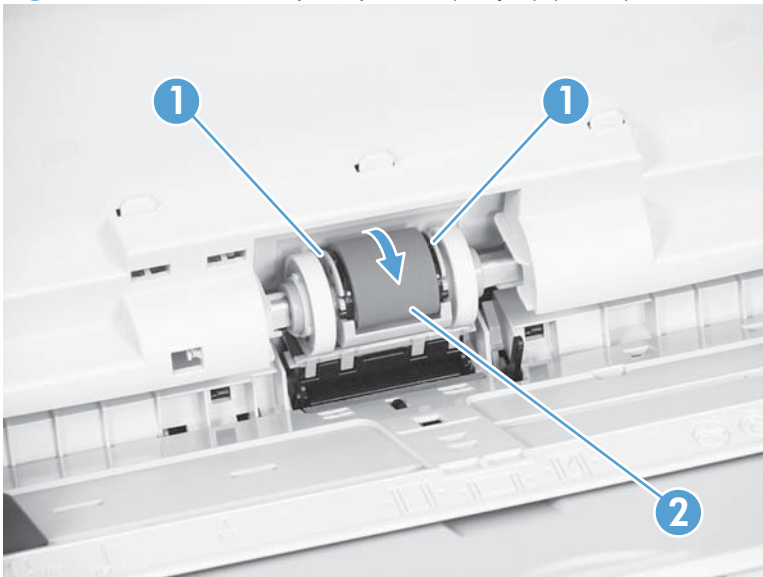
1. Open Tray 1 (callout 1), and then remove the pickup roller cover (callout 2).

Figure 2-4 Remove the pickup roller (Tray 1) (1 of 2)



2. Spread out the pickup roller retainers (callout 1) until both sides unlatch, and then remove the pickup roller (callout 2).

Figure 2-5 Remove the pickup roller (Tray 1) (2 of 2)

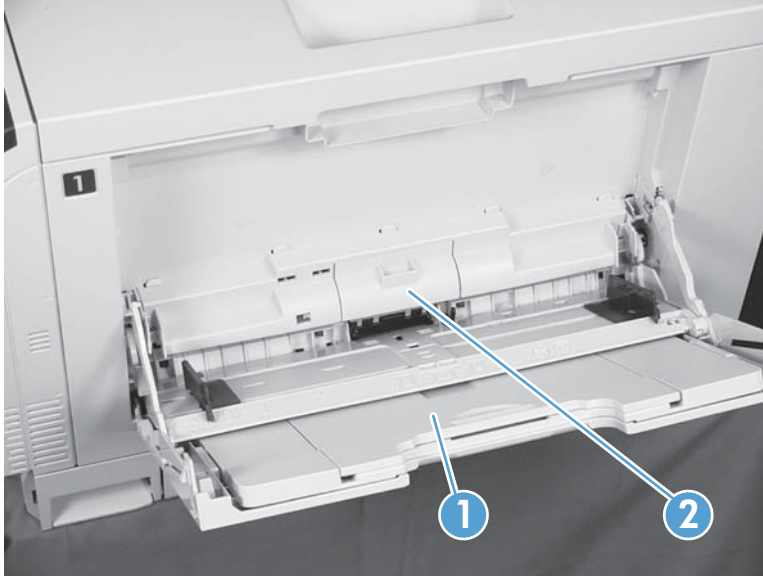


Separation pad (Tray 1)

△ **CAUTION:** Do not touch the spongy roller surface unless you are replacing the roller. Skin oils on the roller can cause paper pickup problems.

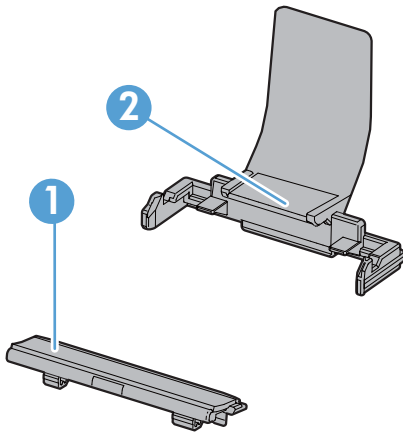
1. Open Tray 1 (callout 1), and then remove the pickup roller cover (callout 2).

Figure 2-6 Remove the separation pad (Tray 1) (1 of 4)



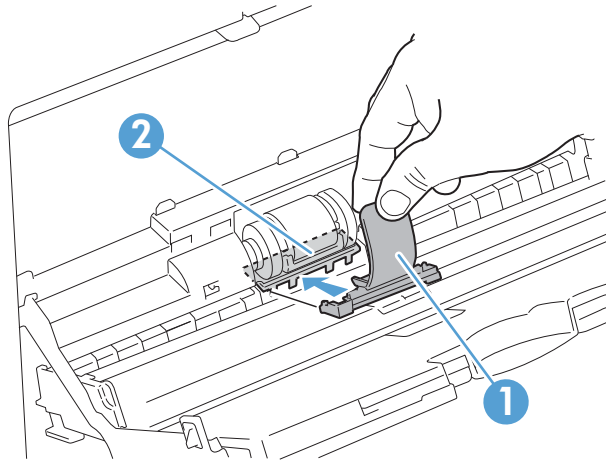
2. Take out the tool (callout 2) supplied with a new separation pad (callout 1).

Figure 2-7 Remove the separation pad (Tray 1) (2 of 4)



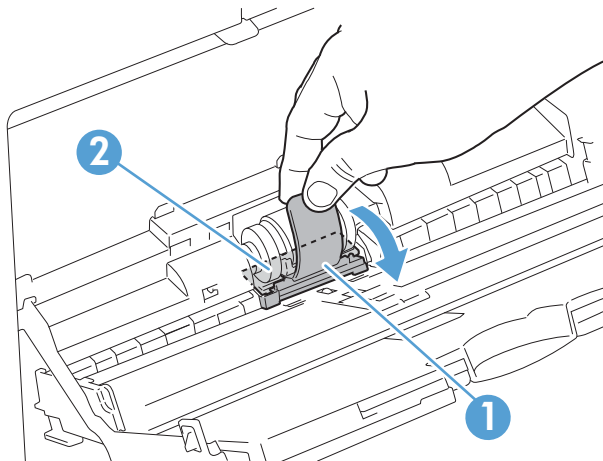
3. Insert the tool (callout 1) under the separation pad (callout 2).


Figure 2-8 Remove the separation pad (Tray 1) (3 of 4)




4. Turn the tool (callout 1) in the direction that the arrow indicates, and then remove the tool and the separation pad (callout 2) together.

Figure 2-9 Remove the separation pad (Tray 1) (4 of 4)



 **Reinstallation tip** You do not need to use the tool to install the new separation pad. Press the new pad with your hand until it snaps into place and engages with the engine.

Separation roller assembly (Tray 2)

 **CAUTION:** Do not touch the spongy roller surface unless you are replacing the roller. Skin oils on the roller can cause paper pickup problems.

1. Remove Tray 2 from the product.
2. Open the right-door assembly.


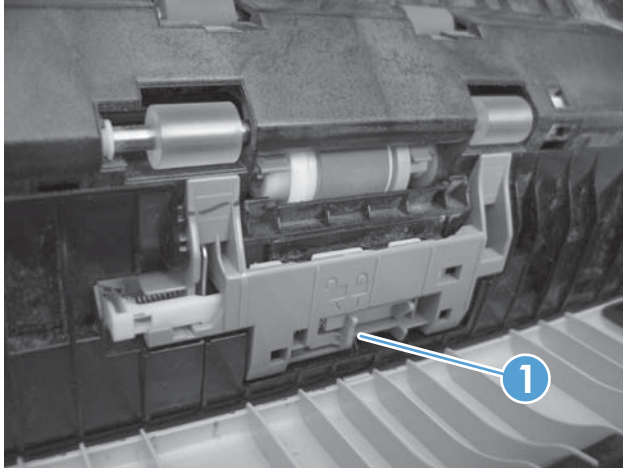
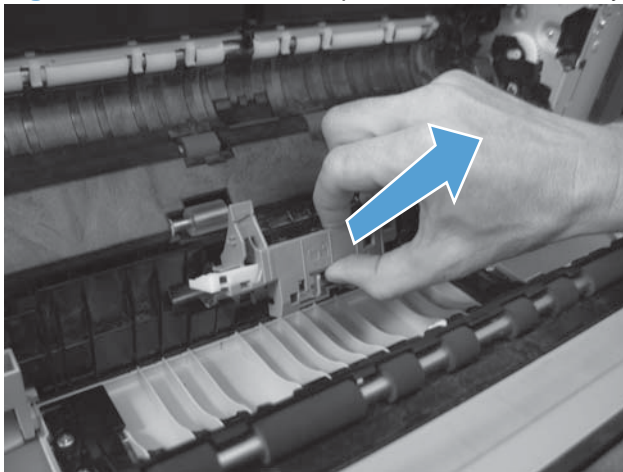
3. On the separation roller assembly, slide the lever (callout 1) toward the unlocked icon  until it clicks into the unlocked position.

Figure 2-10 Remove the separation roller assembly (Tray 2) (1 of 2)



4. Pull the separation roller assembly up and remove it from the product.

Figure 2-11 Remove the separation roller assembly (Tray 2) (2 of 2)

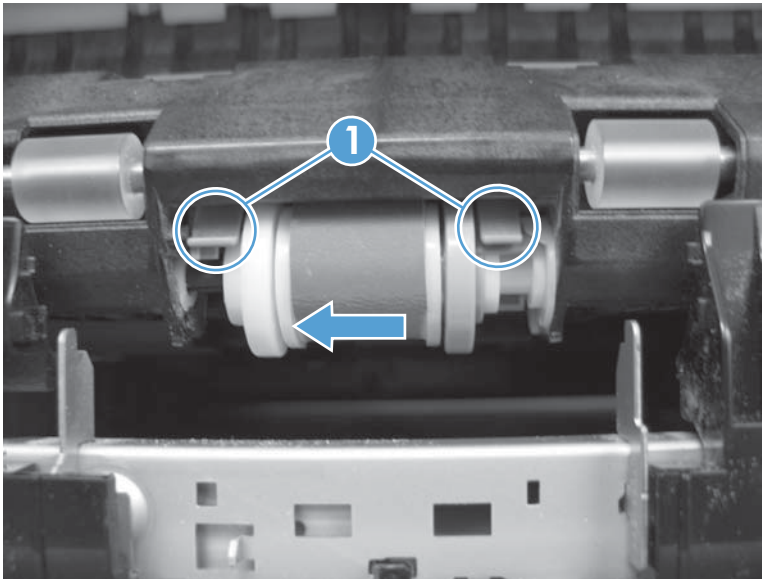


Pickup roller (Tray 2)

△ **CAUTION:** Do not touch the spongy roller surface unless you are replacing the roller. Skin oils on the roller can cause paper pickup problems.

1. Open Tray 2.
2. Open the right-door assembly.
3. Remove the separation roller assembly (see [Separation roller assembly \(Tray 2\) on page 82](#))
4. Lift one of the two levers (callout 1) on either side of the pickup roller, and then push the right side of the roller in the direction of the arrow.

Figure 2-12 Remove the pickup roller (Tray 2)



5. Remove the pickup roller.

💡 **Reinstallation tip** Insert the left side of the roller into the product first.

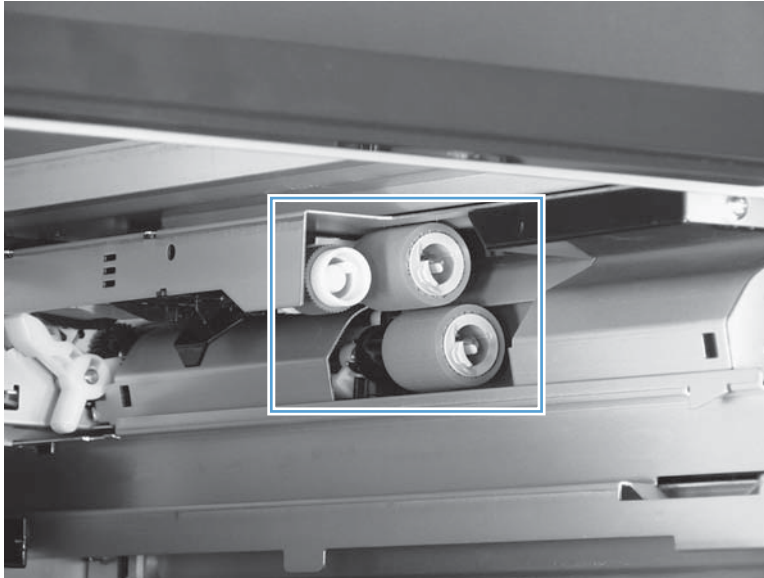
Pickup roller, separation roller, and feed roller (Tray 3)

△ **CAUTION:** Do not touch the spongy roller surface unless you are replacing the roller. Skin oils on the roller can cause paper pickup problems.

💡 **TIP:** You do not have to separate the product from the feeder to remove these rollers.

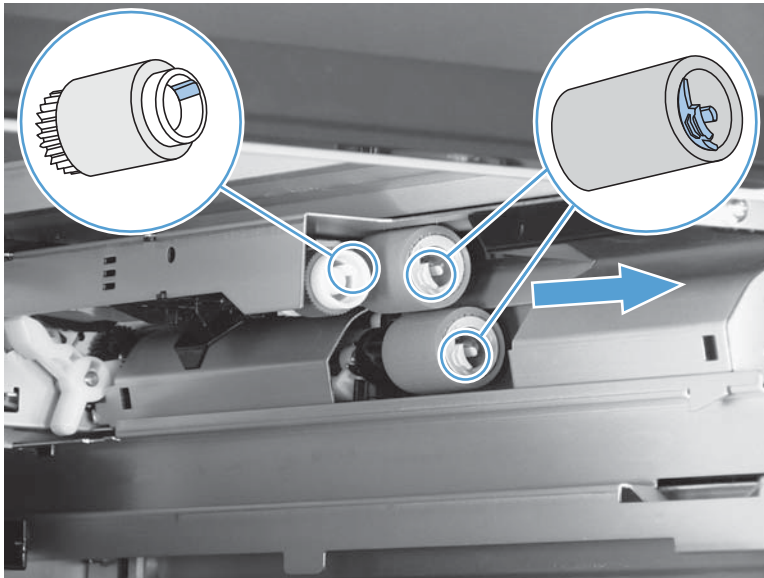
1. Remove Tray 3 from the product, and then locate the Tray 3 rollers on the righthand side of the tray cavity.

Figure 2-13 Remove the Tray 3 rollers (1 of 2)



2. Release three tabs, and then pull the rollers in the direction of the arrow.

Figure 2-14 Remove the Tray 3 rollers (2 of 2)



💡 **Reinstallation tip** When you reinstall the rollers, make sure that the rollers snap into place.