

Tray 1 pickup, feed, and separation rollers

- [Introduction](#)
- [Step 1: Remove the Tray 1 pickup, feed, and separation rollers](#)
- [Step 2: Unpack the replacement rollers](#)
- [Step 3: Install the Tray 1 pickup, feed, and separation rollers](#)
- [Parts Return](#)

Introduction

This document provides the procedures to remove and replace the Tray 1 pickup, feed, and separation rollers.

Before servicing

Use the table below to identify the correct kit part number for your product, and then go to www.hp.com/buy/parts to order the kit.

Tray 1 pickup, feed, and separation rollers kit part number	
---	--

B3G84-67906

Tray 1 pickup, feed, and separation rollers with instruction guide
--

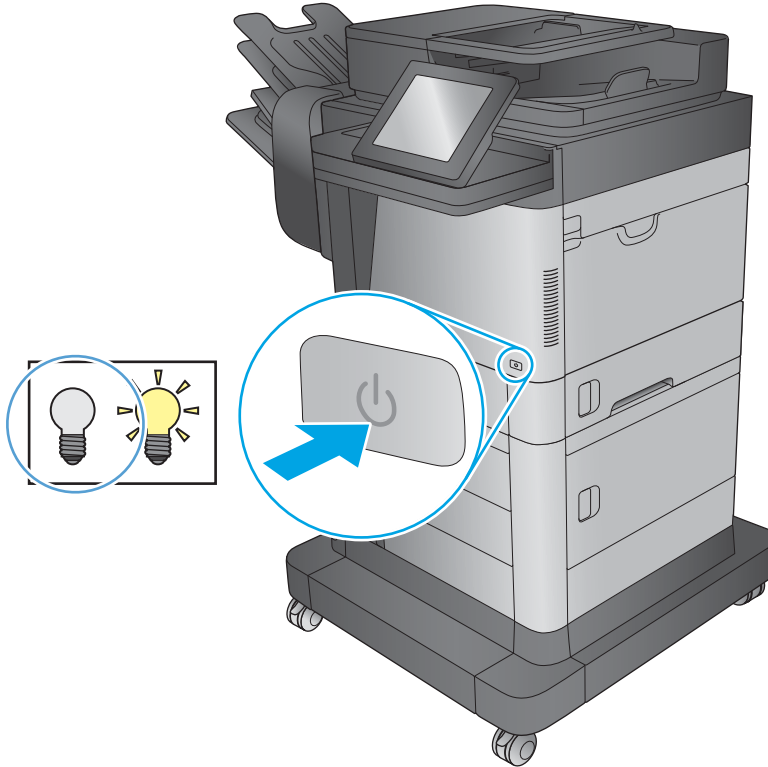
Required tools

- #2 Phillips screwdriver with a magnetic tip

Step 1: Remove the Tray 1 pickup, feed, and separation rollers

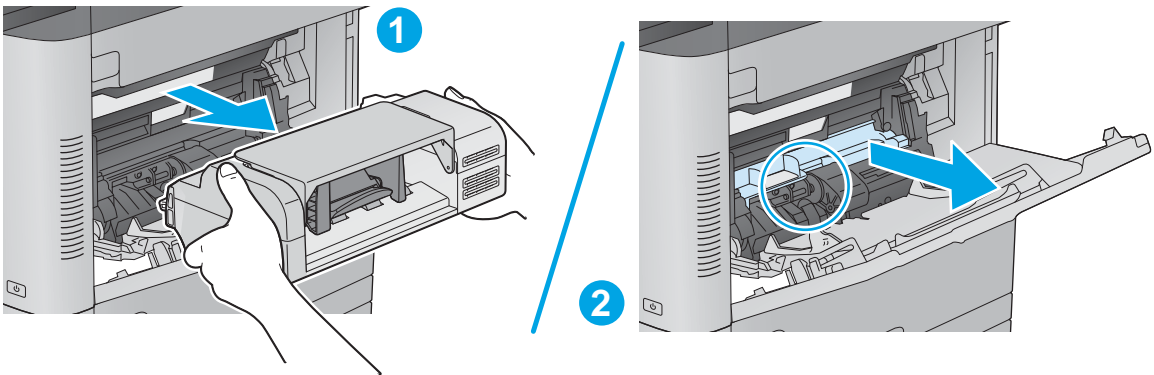
1. Use the power switch to turn the product power off.

Figure 1-175 Turn the power off



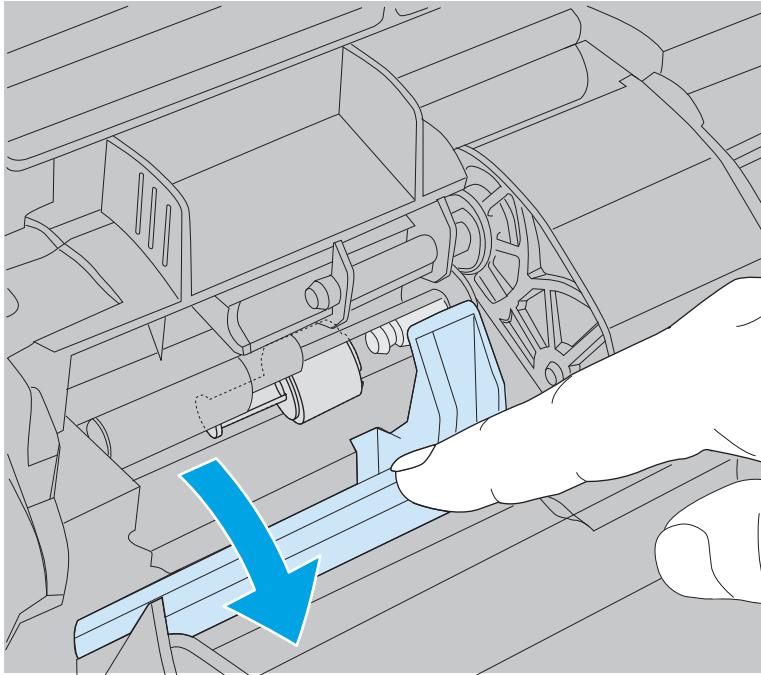
2. Remove the envelope feeder (callout 1), or open Tray 1 and then remove the environment cover (callout 2) depending on product configuration.

Figure 1-176 Remove the envelope feeder or the environment cover



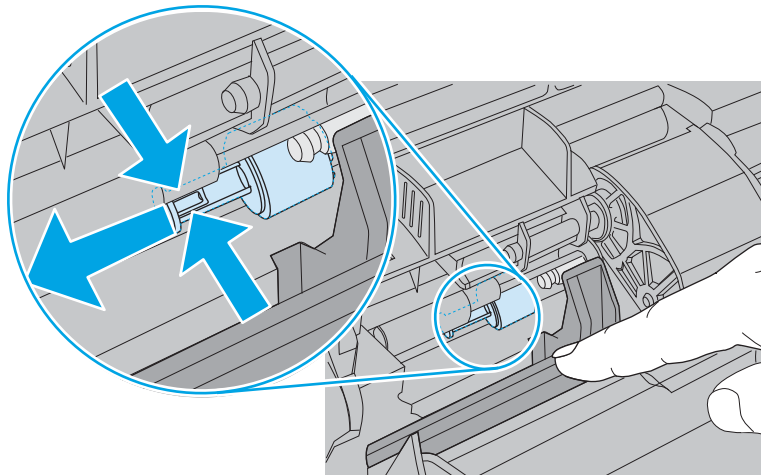
3. Open the separation roller cover.

Figure 1-177 Open the separation roller cover



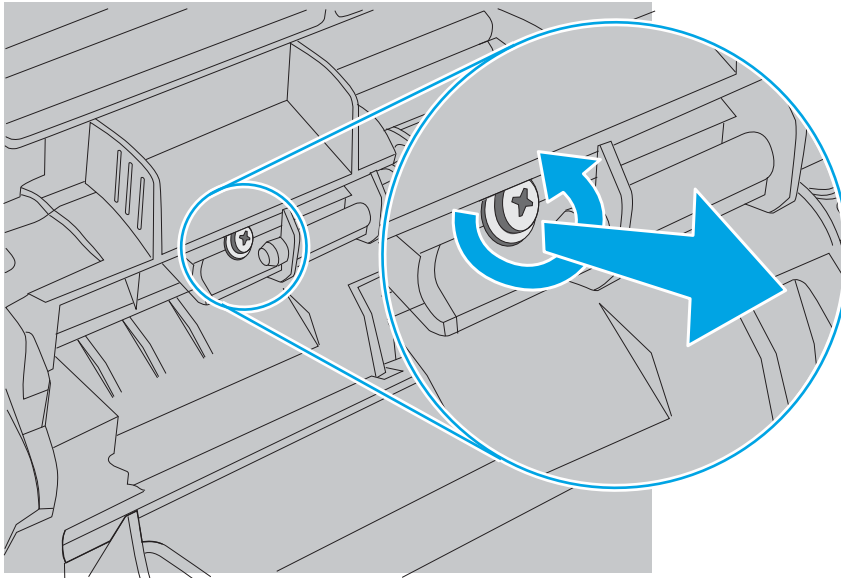
4. Release the separation roller locking tab, and then slide the roller off of the shaft to remove it.

Figure 1-178 Remove the separation roller



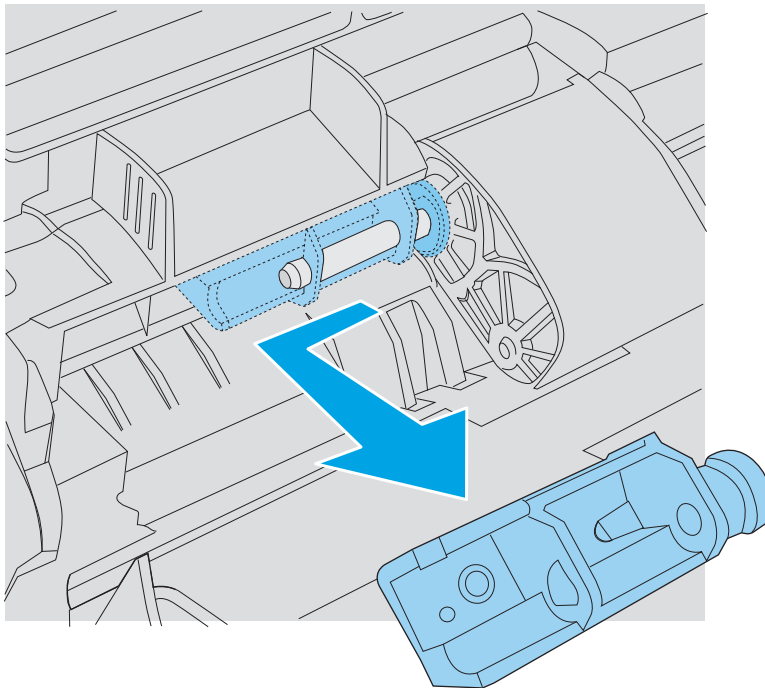
5. Remove one screw.

Figure 1-179 Remove one screw



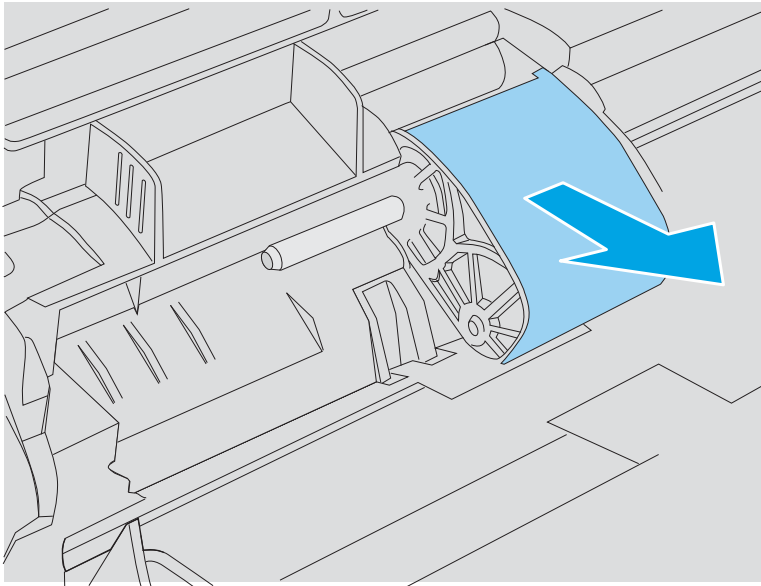
6. Slide the bushing off of the shaft.

Figure 1-180 Remove the bushing



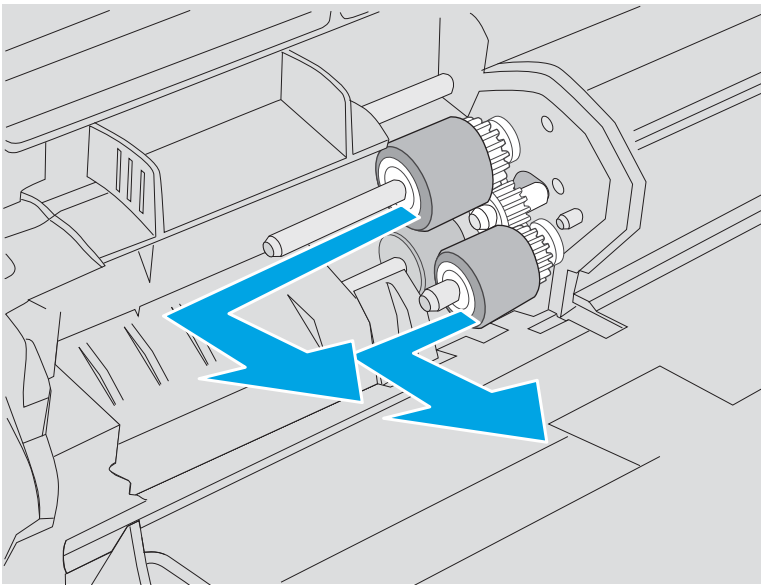
7. Remove the roller cover.

Figure 1-181 Remove the roller cover



8. Remove the pickup and feed rollers.

Figure 1-182 Remove the rollers



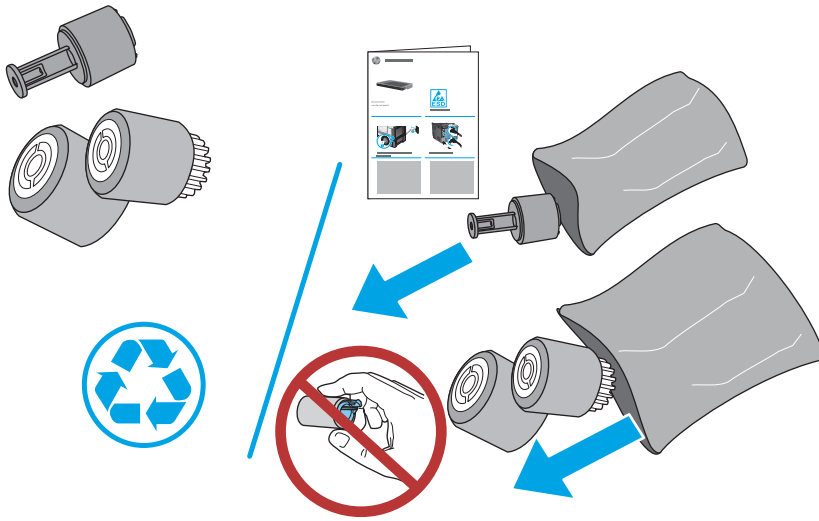
Step 2: Unpack the replacement rollers

Unpack the replacement assemblies from the packaging.

CAUTION: Avoid touching the surface of the replacement rollers. Skin oils on the rollers can cause print-quality problems. Thoroughly wash your hands with soap and water to remove skin oils, and then completely dry them.

www.Product return and recycling

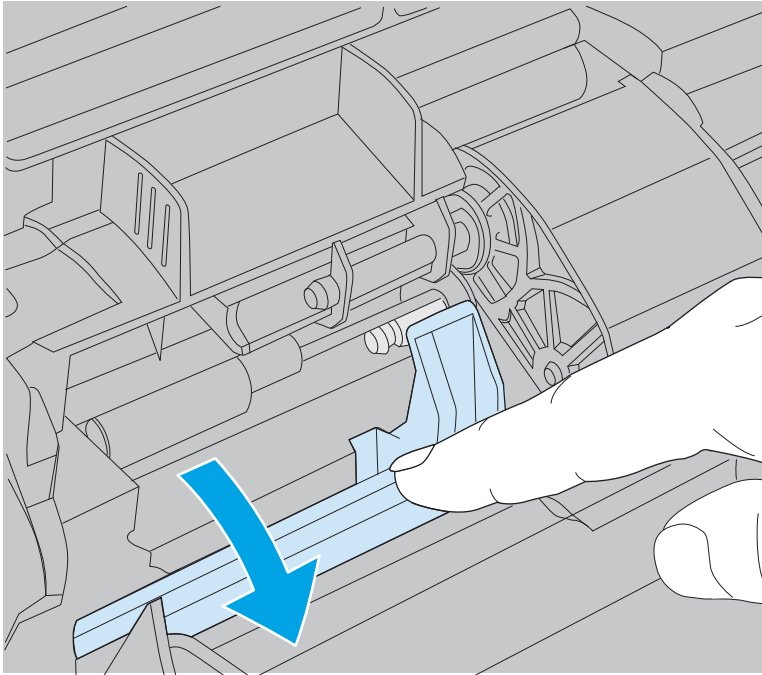
 **NOTE:** HP recommends responsible disposal of the defective assemblies.



Step 3: Install the Tray 1 pickup, feed, and separation rollers

1. Open the separation roller cover.

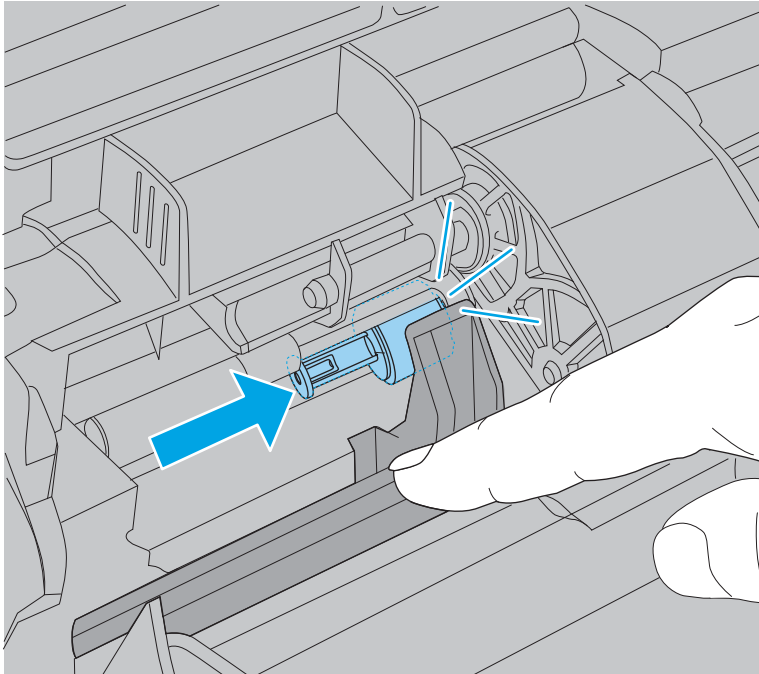
Figure 1-183 Open the separation roller cover



2. Slide the roller onto the shaft to install it, and then close the cover.

 **TIP:** When the roller is fully installed, an audible click is heard.

Figure 1-184 Install the separation roller



3. Install the pickup and feed rollers.


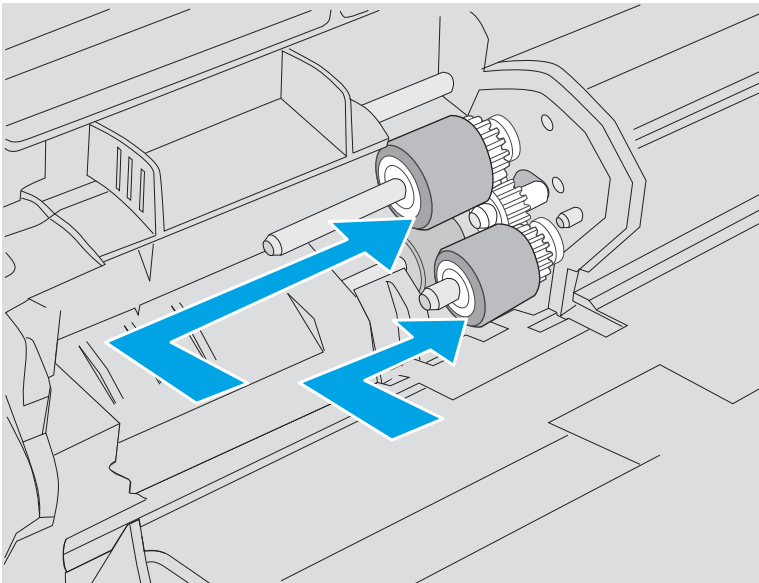
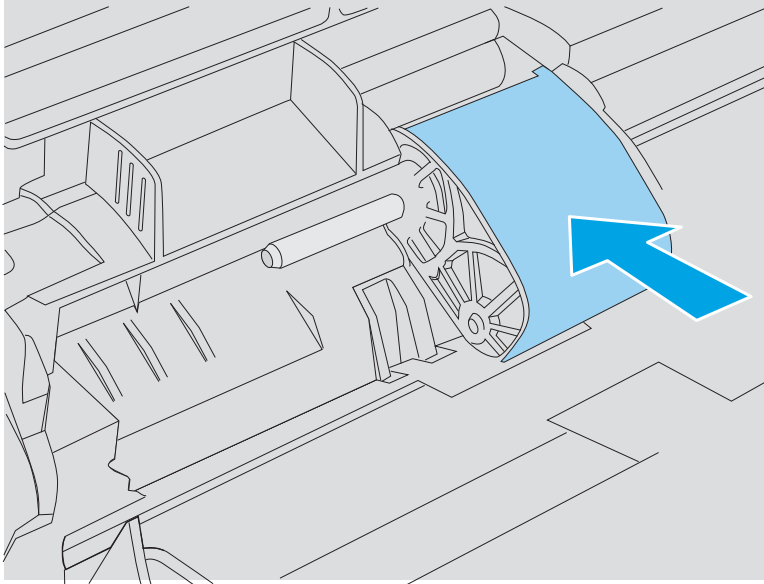
 **TIP:** Install the roller with the white gear on the lower shaft.

Figure 1-185 Install the rollers



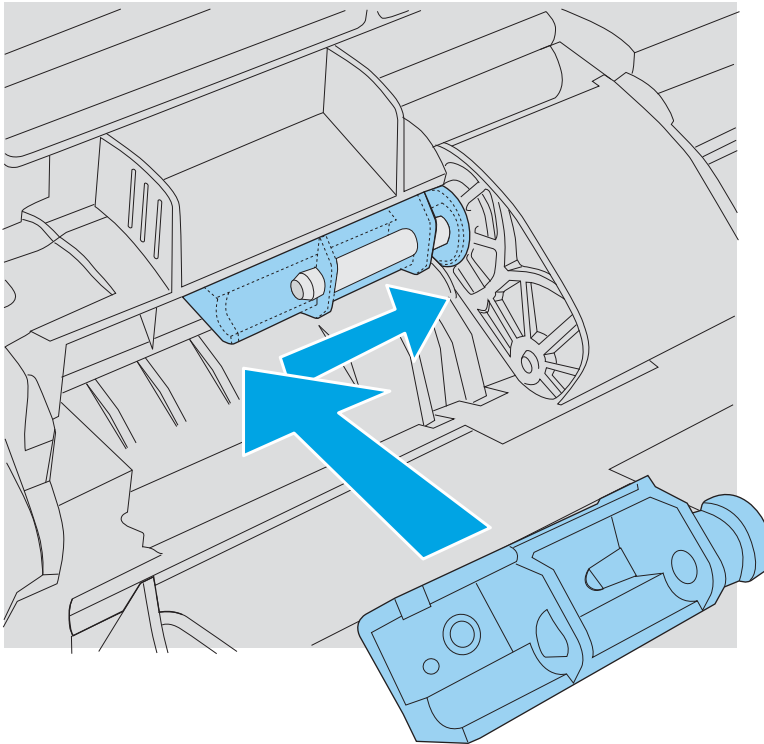
4. Install the roller cover.

Figure 1-186 Install the roller cover



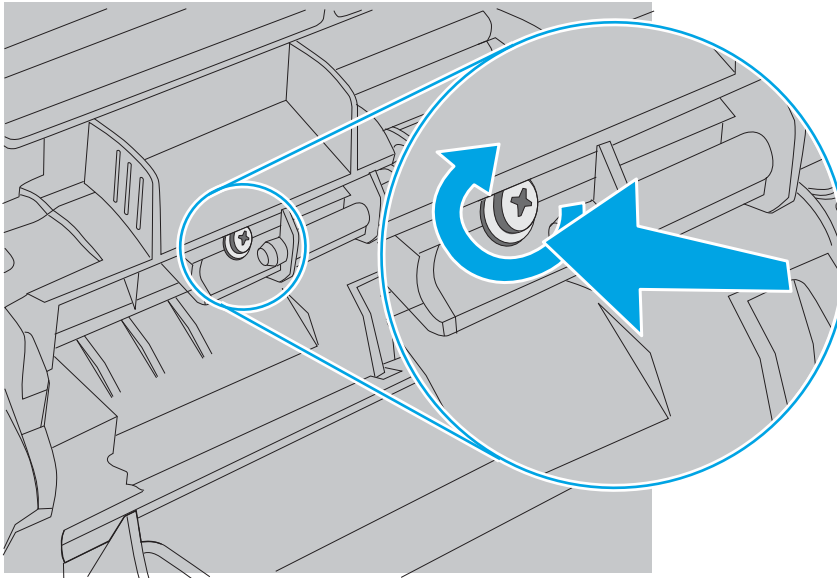
5. Slide the bushing on the shaft to install it.

Figure 1-187 Install the bushing



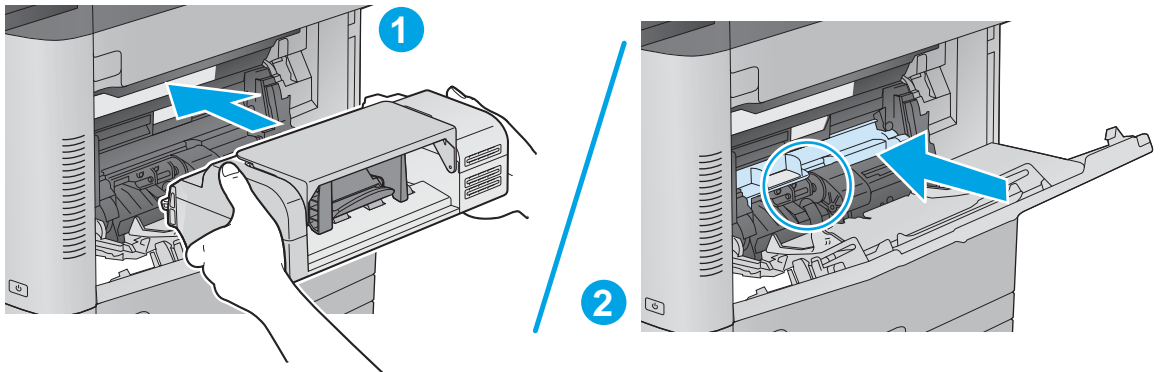
6. Install one screw.

Figure 1-188 Install one screw



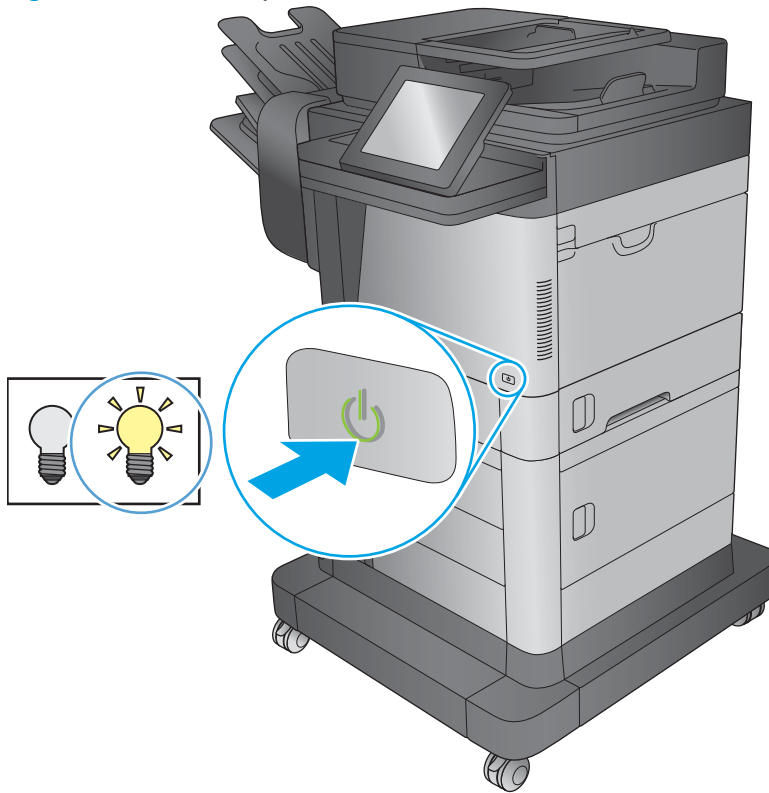
7. Install the envelope feeder (callout 1) *or*, open Tray 1 and then install the environment cover (callout 2) depending on product configuration.

Figure 1-189 Install the envelope feeder or the environment cover



8. Use the power switch to turn the product power on.

Figure 1-190 Turn the power on



Parts Return

www.Product return and recycling.