

Main assemblies

Tray 1 pickup roller

⚠ CAUTION: Do not touch the surface of the roller. Skin oils deposited on the roller might cause print-quality problems.

1. Press the cartridge-door release button, and then open the cartridge door. Make sure that the door is completely open.

Figure 1-143 Remove the Tray 1 pickup roller (1 of 2)



2. Release two tabs, and then rotate the roller out and away from the product to remove it.


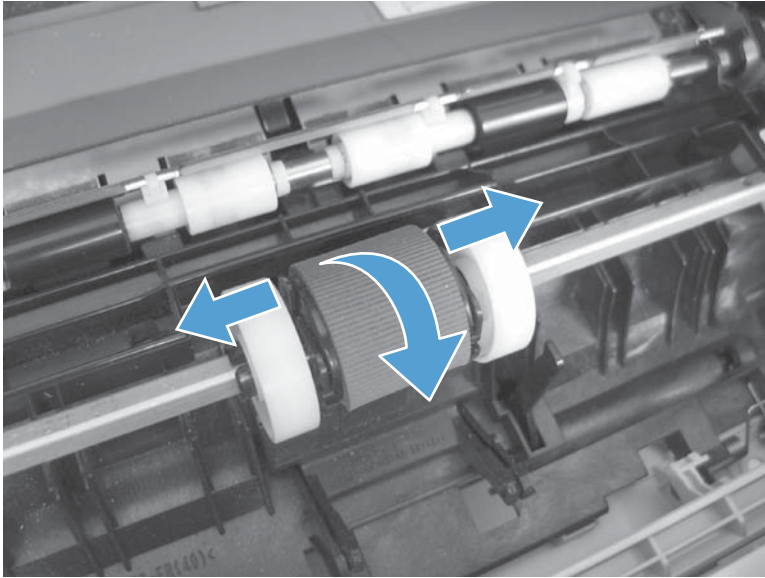
 **TIP:** It might be easier to release the tabs by using a small flat blade screwdriver.

Figure 1-144 Remove the Tray 1 pickup roller (2 of 2)



Tray 1 separation pad

⚠ CAUTION: Do not touch the surface of the pad. Skin oils deposited on the roller might cause paper-handling problems.

1. Press the cartridge-door release button, and then open the cartridge door. Make sure that the door is completely open.

Figure 1-145 Remove the Tray 1 separation pad (1 of 2)



2. Release two tabs (callout 1), and then remove the separation pad.

Figure 1-146 Remove the Tray 1 separation pad (2 of 2)

