

## Tray 2, 3, or 4 pickup roller

**CAUTION:** Do not touch the surface of the roller. Skin oils deposited on the roller might cause print-quality problems.

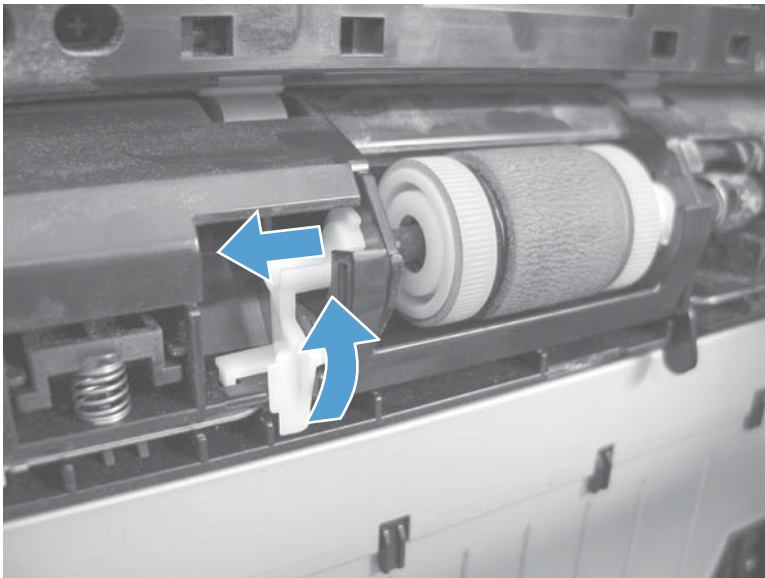
**NOTE:** If you did not remove Tray 2, 3, or 4 before servicing the product, remove them now.

1. Carefully place the product front-side up, so that you can see into the opening where the tray would be installed.

**NOTE:** Debris can scratch or damage the back of the product. Before you place the product front-side up, remove any debris from the work surface. If possible, set the product on a clean, dry cloth to prevent scratching and damage.

2. Release the roller bushing, rotate the bushing up, and then slide the bushing off of the roller shaft.

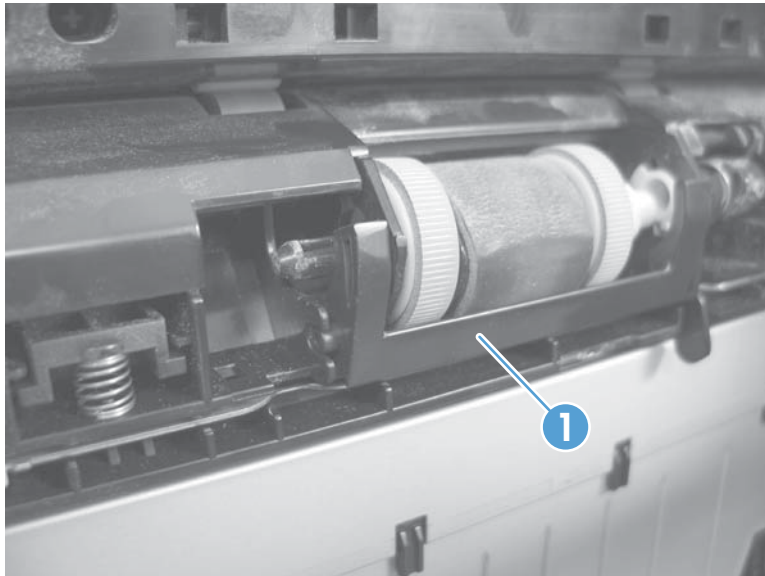
**Figure 1-147** Remove the Tray 2, 3, or 4 pickup roller (1 of 3)



- Carefully remove the black-plastic guard (callout 1).

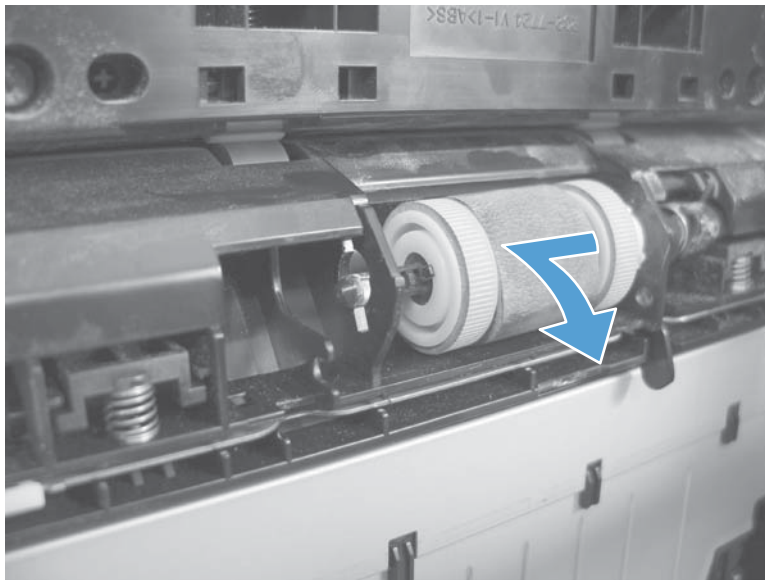
**⚠ CAUTION:** The guard is partially retained by the bushing removed in the previous step. Do not lose the guard when the bushing is removed.

**Figure 1-148** Remove the Tray 2, 3, or 4 pickup roller (2 of 3)



- Slide the roller toward the left side of the product, rotate the right end of the roller away from the product, and then remove the roller assembly.

**Figure 1-149** Remove the Tray 2, 3, or 4 pickup roller (3 of 3)



## Tray 2, 3, or 4 separation pad

**CAUTION:** Do not touch the surface of the pad. Skin oils deposited on the roller might cause paper-handling problems.

1. Remove the tray. See [Tray 2, Tray 3, or Tray 4 assembly on page 14](#).
2. Remove two screws (callout 1), and then remove the separation pad (callout 2).

**Figure 1-150** Remove the Tray 2, 3, or 4 separation pad

