

Tray 2, 3, or 4 pickup and feed rollers

1. Remove the paper tray. See [Trays 2, 3, and 4 on page 261](#).



Figure 6-46 Remove the tray 2, 3, or 4 pickup and feed rollers (1 of 2)

2. Squeeze the tabs to release the pickup roller (left) and feed roller (right).



Figure 6-47 Remove the tray 2, 3, or 4 pickup and feed rollers (2 of 2)

3. Slide the rollers off the shaft.

MP tray pickup roller

1. Remove the MP tray pickup assembly. See [MP tray pickup assembly on page 261](#).
2. Slide the white tabs to the middle.

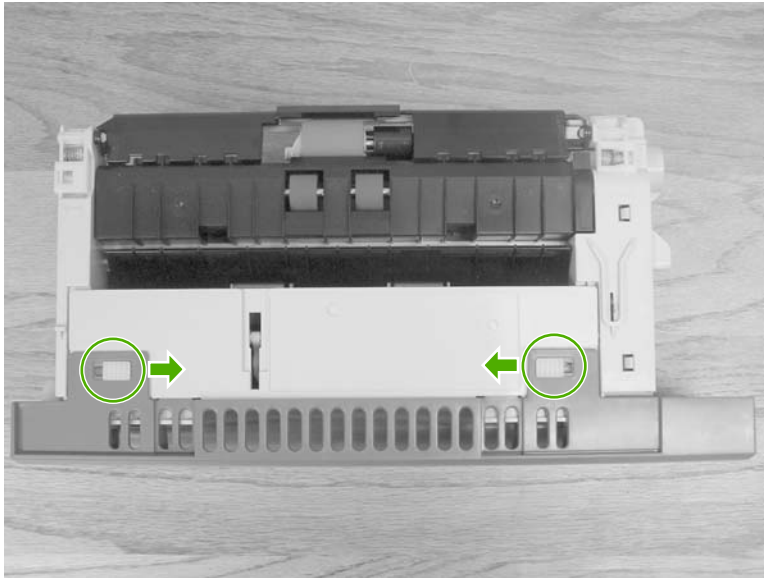


Figure 6-48 Remove the MP tray pickup roller (1 of 3)

3. Rotate the front cover away from the tray.

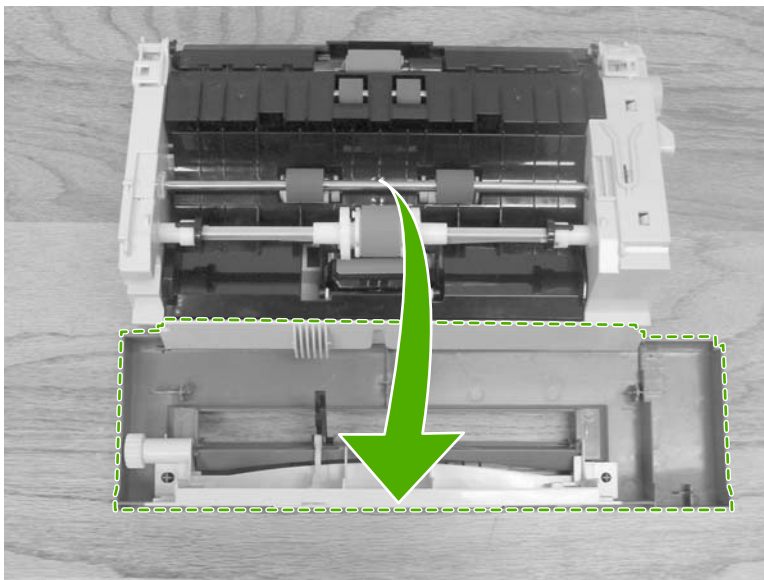


Figure 6-49 Remove the MP tray pickup roller (2 of 3)

4. Remove the pickup roller by pulling the tabs outward and lifting the roller from the shaft.

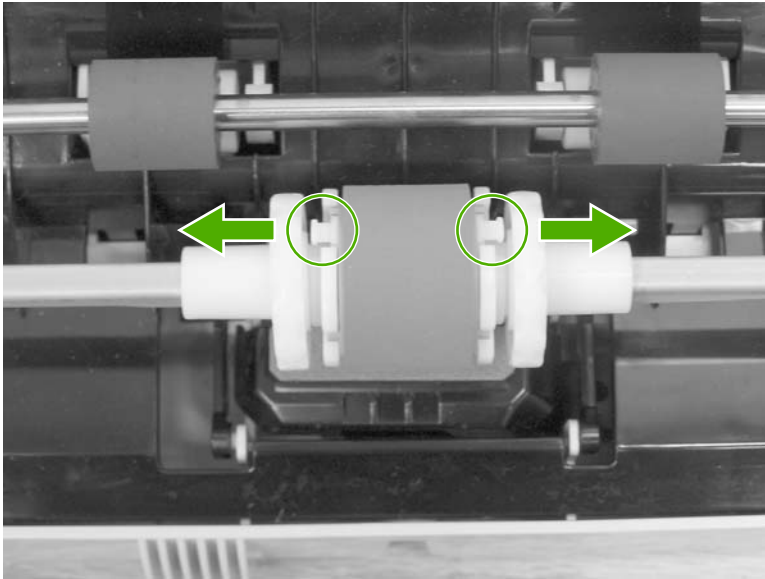


Figure 6-50 Remove the MP tray pickup roller (3 of 3)



Hint When reinstalling the MP tray pickup roller, insert the round tabs toward the front of the tray.

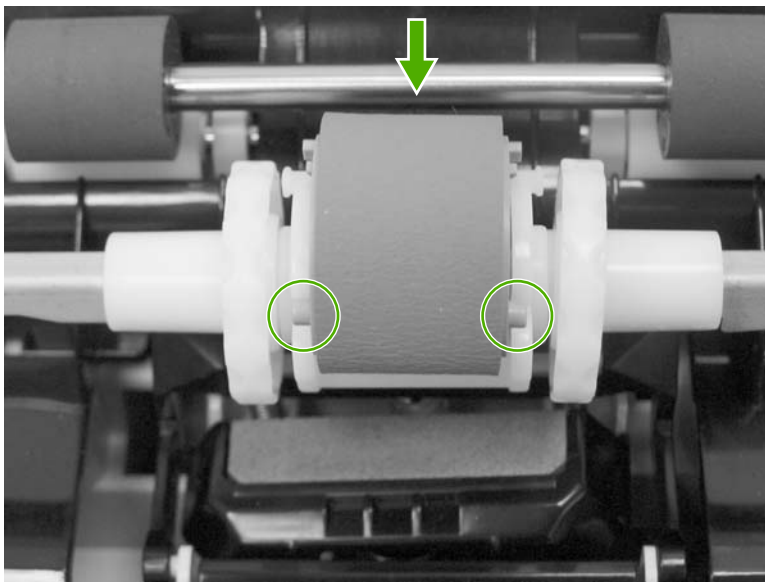


Figure 6-51 Replace the MP tray pickup roller

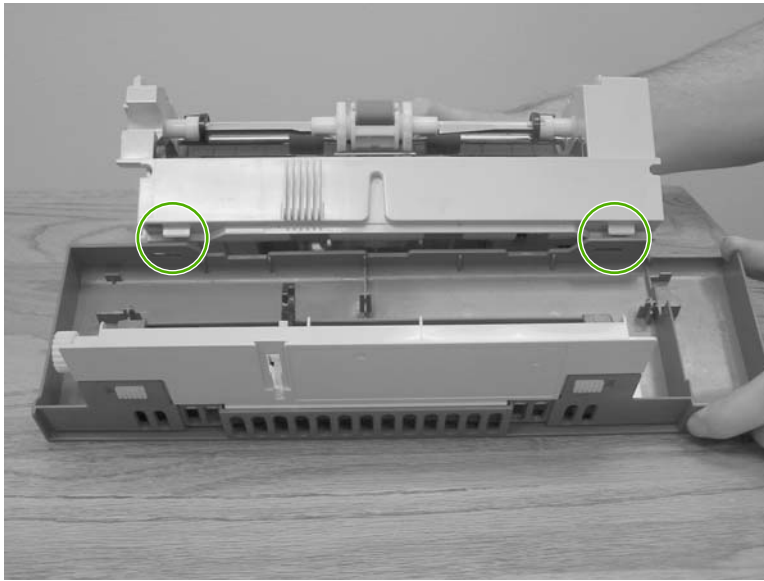


Figure 6-52 Replace the tray cover



Hint When reinstalling the tray front cover, insert the slots into the tabs, rotate the cover upward, and snap it into place.

Tray 2 separation roller

1. Remove the MP tray pickup assembly. See [MP tray pickup assembly on page 261](#).
2. Release the two locking tabs on the MP tray pickup assembly and open the tray 2 separation roller cover.

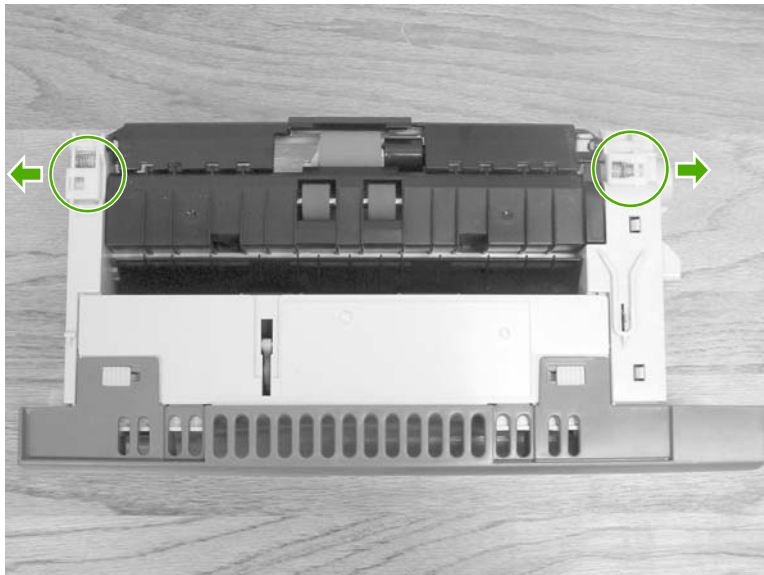


Figure 6-53 Remove the tray 2 separation roller (1 of 3)

3. Remove the tray 2 separation roller by depressing the blue tab and removing it from the shaft. Replace the tray 2 separation roller.

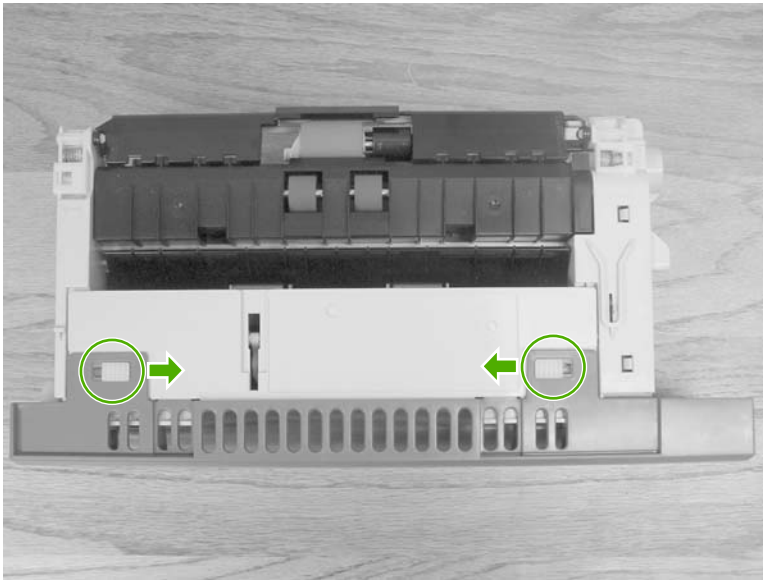


Figure 6-54 Remove the tray 2 separation roller (2 of 3)

4. Close the separation roller cover by sliding the tabs outward before closing the cover.

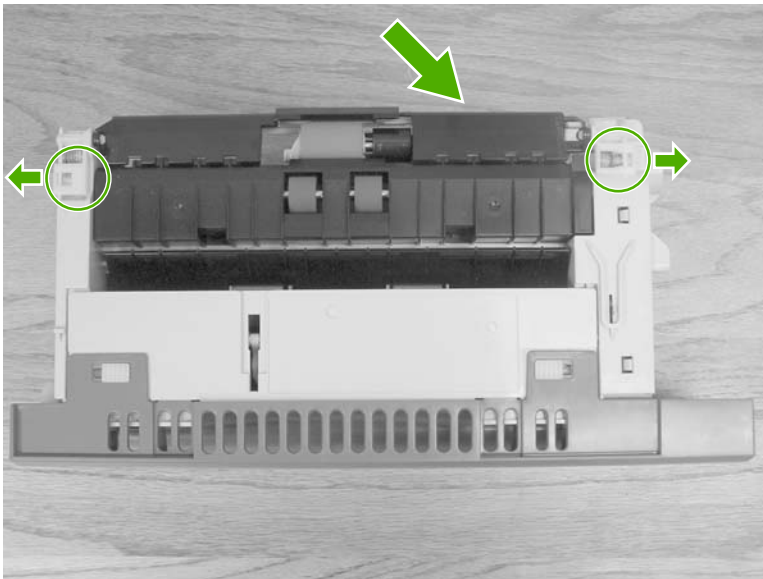


Figure 6-55 Remove the tray 2 separation roller (3 of 3)

Tray 3 or 4 separation rollers

1. Open tray 3 or 4.
2. Open the lower jam access door.

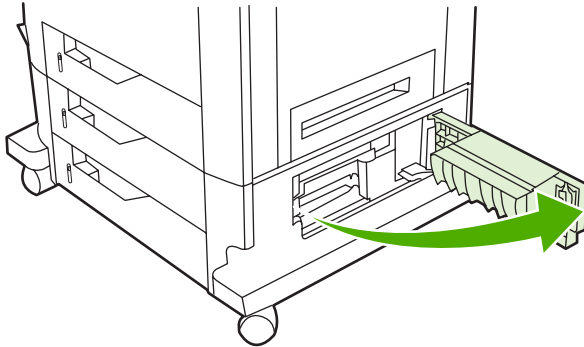


Figure 6-56 Remove the tray 3 or 4 separation rollers (1 of 2)

3. Remove the separation roller by depressing the blue tab and removing the roller from the shaft.

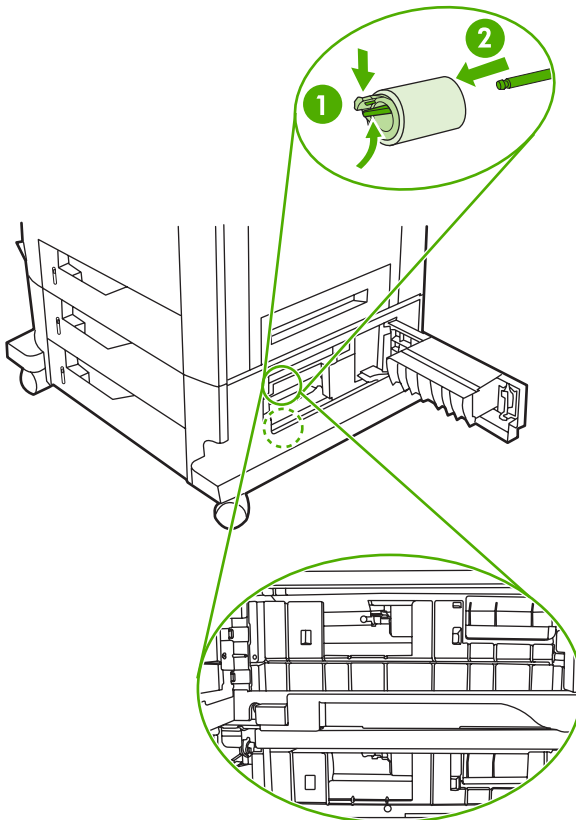


Figure 6-57 Remove the tray 3 or 4 separation rollers (2 of 2)