

Document-feeder roller cover

Before servicing, turn the product off. After servicing, turn the product on.

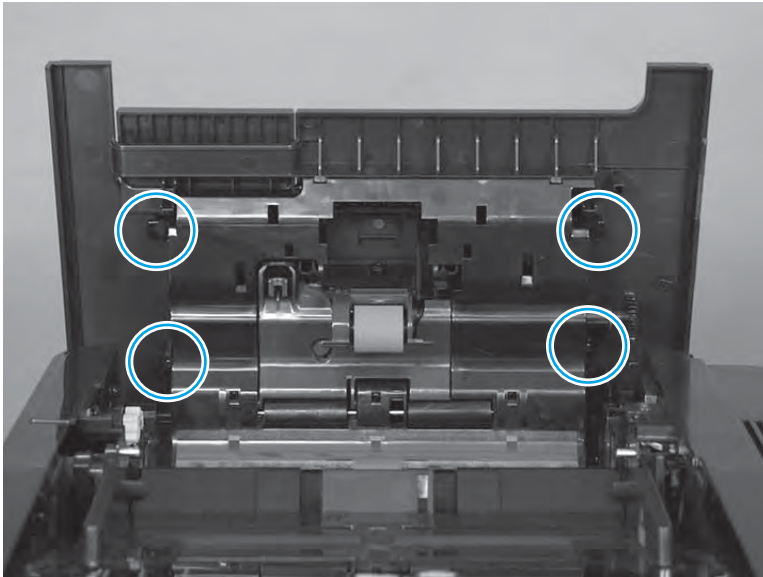
1. Open the document-feeder cover.

Figure 1-241 Open the document-feeder cover



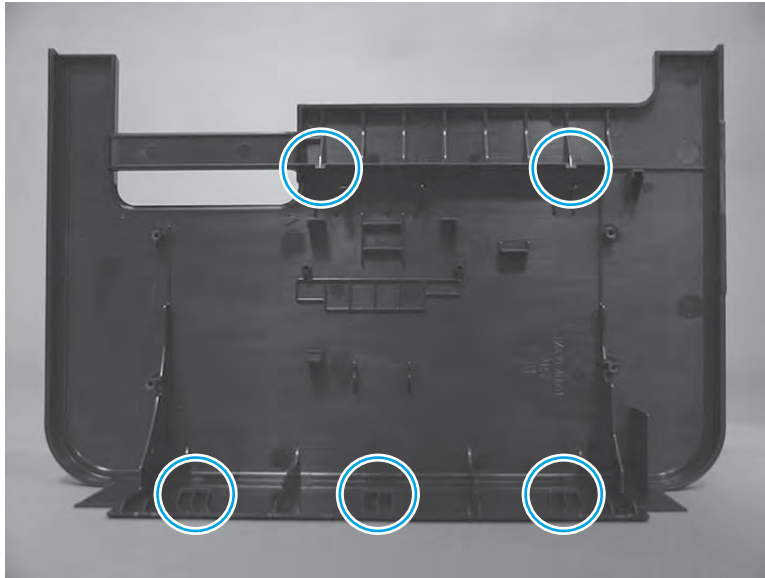
2. Remove four screws.

Figure 1-242 Remove four screws



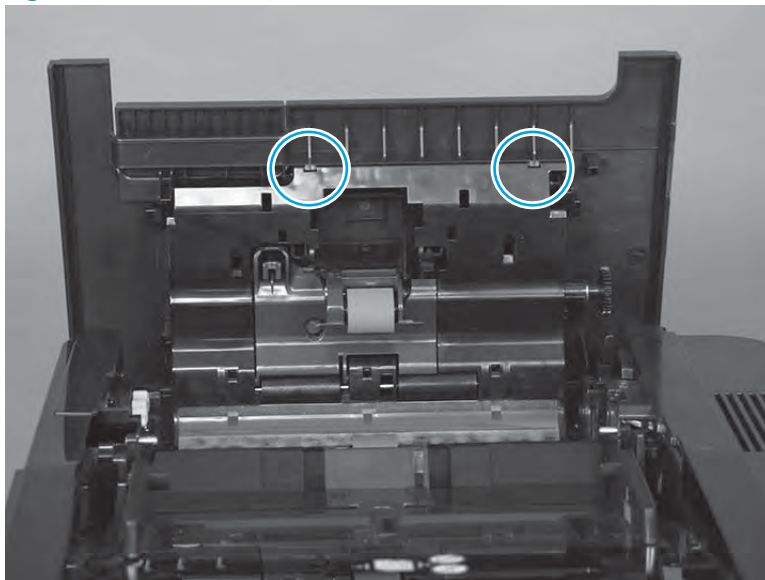
3. Before removing the cover, note the location of the tabs.

Figure 1-243 Note the location of the tabs



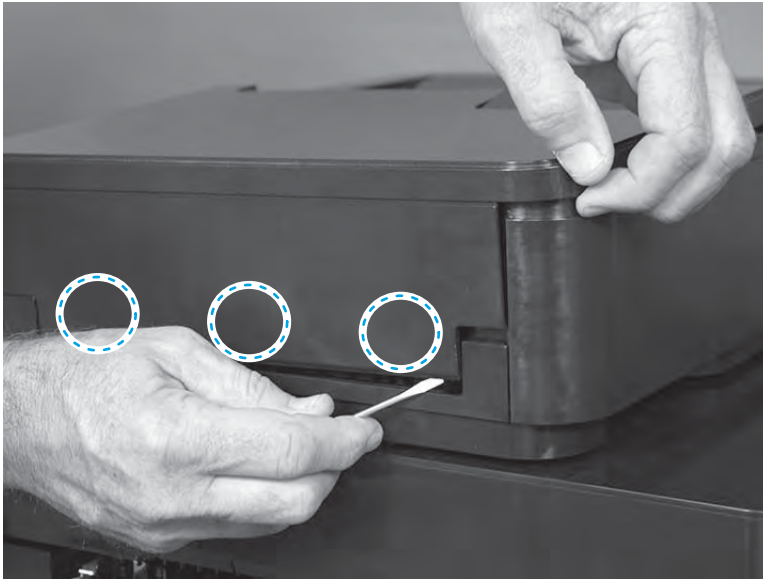
4. Release two tabs.

Figure 1-244 Release two tabs



5. Close the document-feeder cover, and then release the remaining three tabs and remove the cover.

Figure 1-245 Remove the cover



6. Remove three springs.


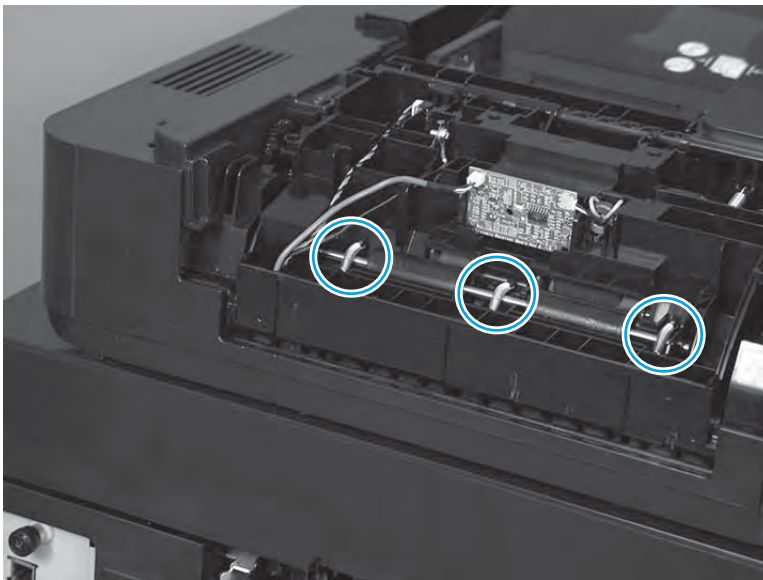
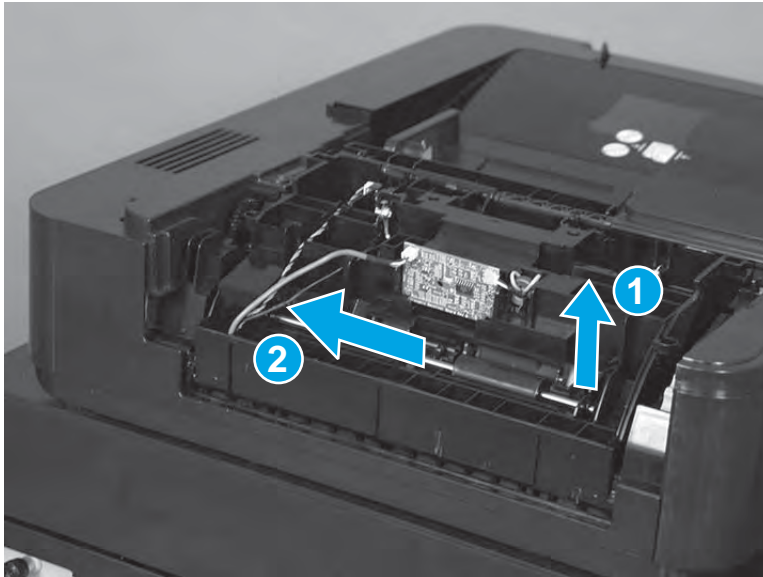
 **Reinstallation tip:** Use needle nose pliers to reattach the spring. Attach the spring to the bottom hook first.

Figure 1-246 Remove three springs



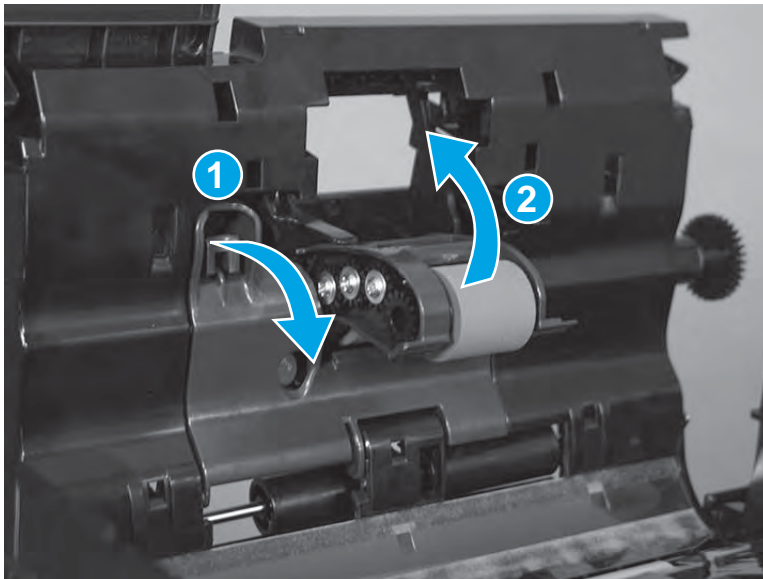
7. Lift the right end of the roller shaft up (callout 1), and then slide the shaft and rollers to the left (callout 2).

Figure 1-247 Slide the shaft and rollers to the left



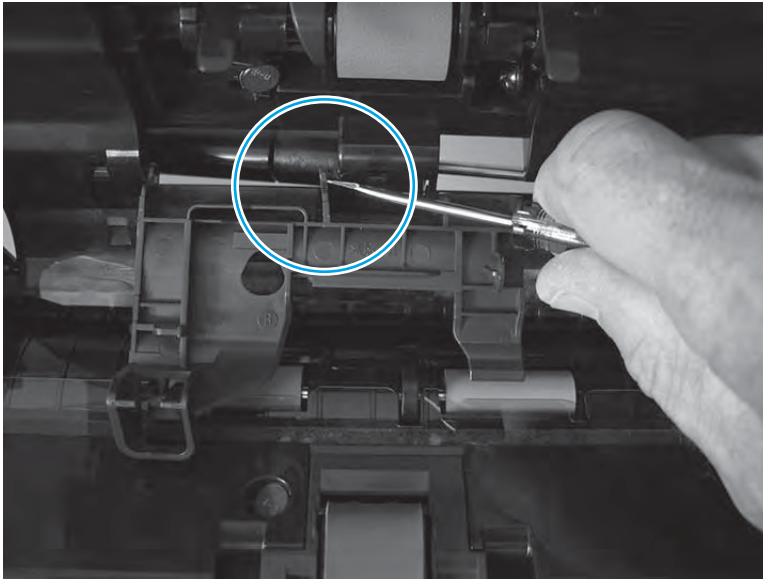
8. Open the document-feeder cover, open the document-feeder roller cover (callout 1), and move the document-feeder roller assembly out of the way (callout 2).

Figure 1-248 Move the document-feeder roller assembly out of the way



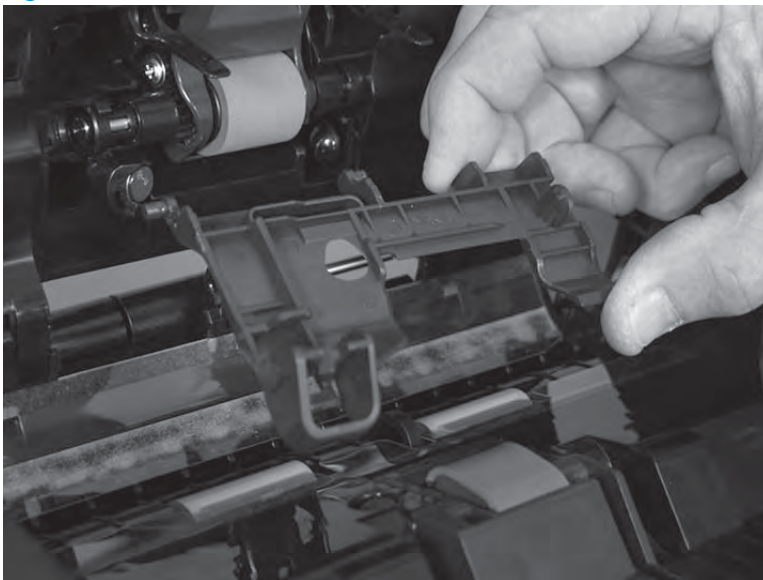
9. Release one hinge pin on the document-feeder roller cover.

Figure 1-249 Release one hinge pin



10. Remove the document-feeder roller cover.

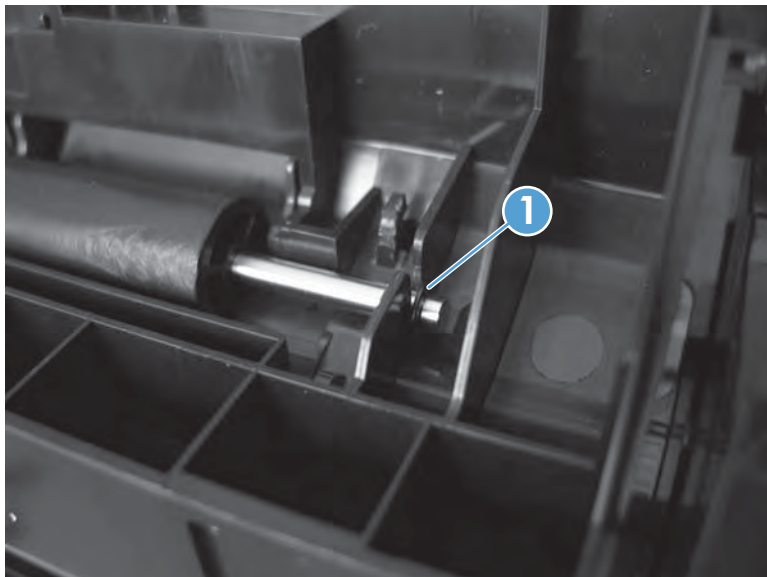
Figure 1-250 Remove the document-feeder roller cover



Reinstall the document-feeder roller cover

1. Make sure that the end of the roller shaft (callout 1) is correctly installed.

Figure 1-251 Check the roller shaft



2. Make sure the document-feeder roller cover and document-feeder roller assembly are correctly positioned before trying to close the cover.

Figure 1-252 Check the document-feeder roller cover and document-feeder roller assembly

