

Tray 2-5 pickup and feed rollers

- [Introduction](#)
- [Step 1: Remove the Tray 2 - 5 pickup and feed rollers](#)
- [Step 2: Unpack the replacement rollers](#)
- [Step 3: Install the Tray 2 - 5 pickup and feed rollers](#)
- [Parts Return](#)

Introduction

This document provides the procedures to remove and replace the Tray 2 - X pickup and feed rollers.

Before servicing

Use the table below to identify the correct kit part number for your product, and then go to www.hp.com/buy/parts to order the kit.

Tray 2 - X pickup and feed rollers kit part number	
--	--

B3G84-67905

Tray 2 - X pickup and rollers kit with instruction guide
--

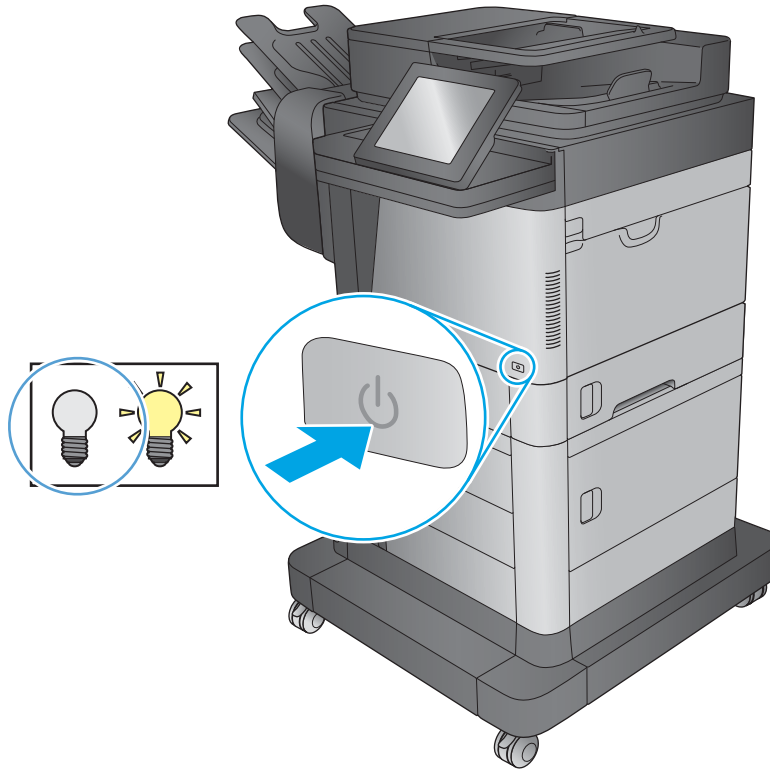
Required tools

- No special tools are required to install this kit.

Step 1: Remove the Tray 2 - 5 pickup and feed rollers

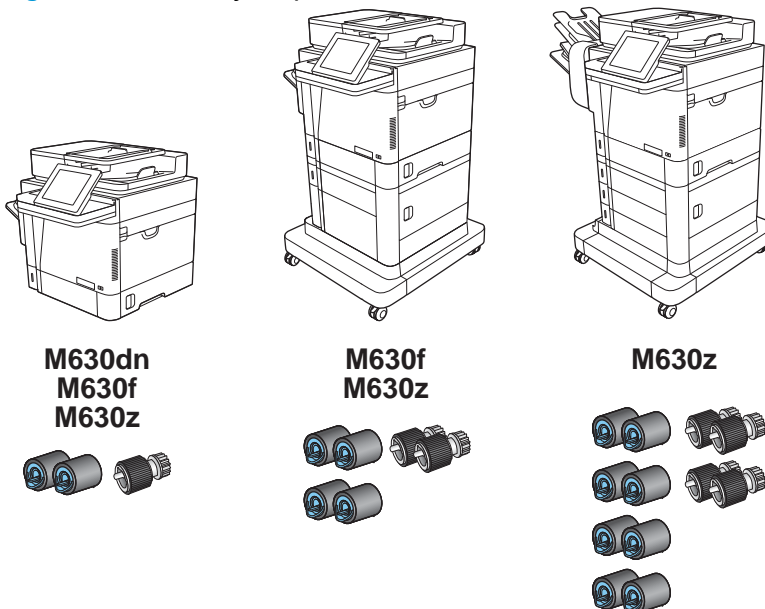
1. Use the power switch to turn the product power off.

Figure 1-191 Turn the power off



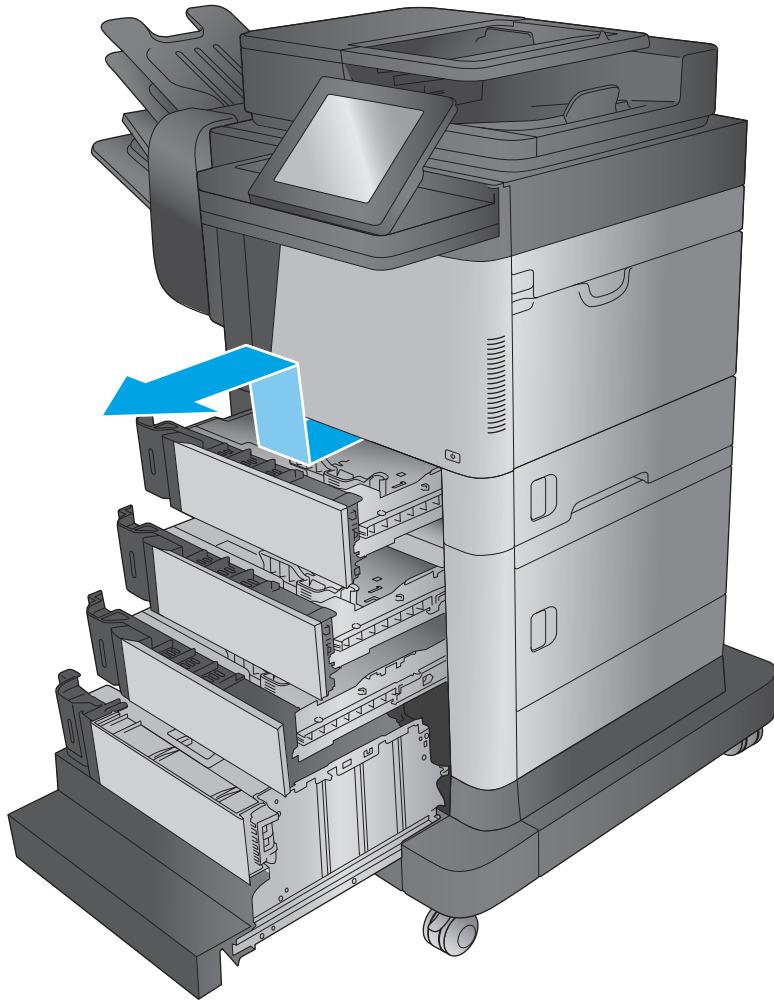
2. The figures in this procedure show the 2,500-sheet high-capacity feeder, however the procedure for replacing the rollers is correct for all product models.

Figure 1-192 Identify the product model



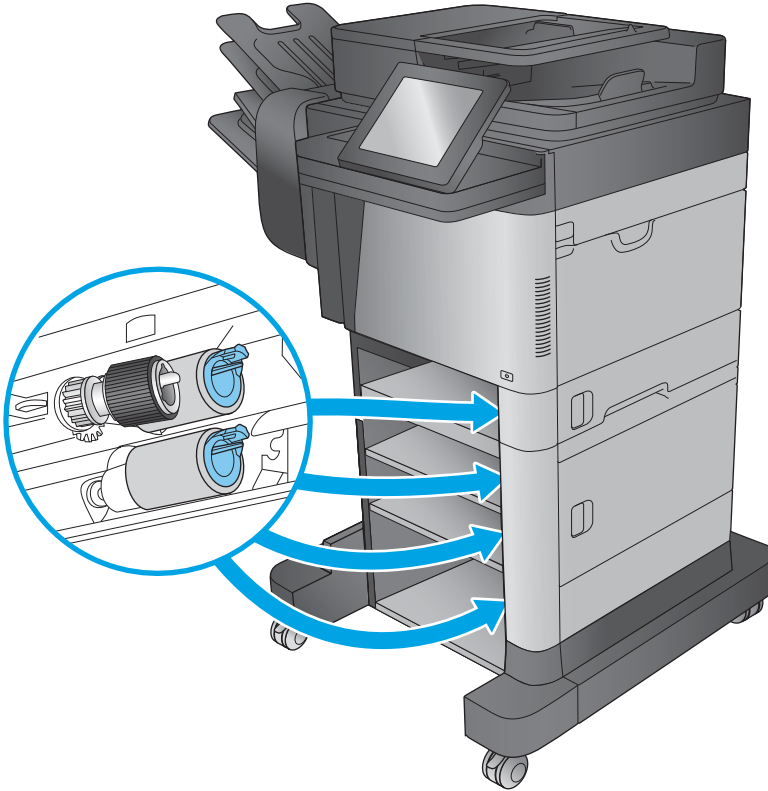
3. Remove the tray or trays.

Figure 1-193 Remove the tray or trays



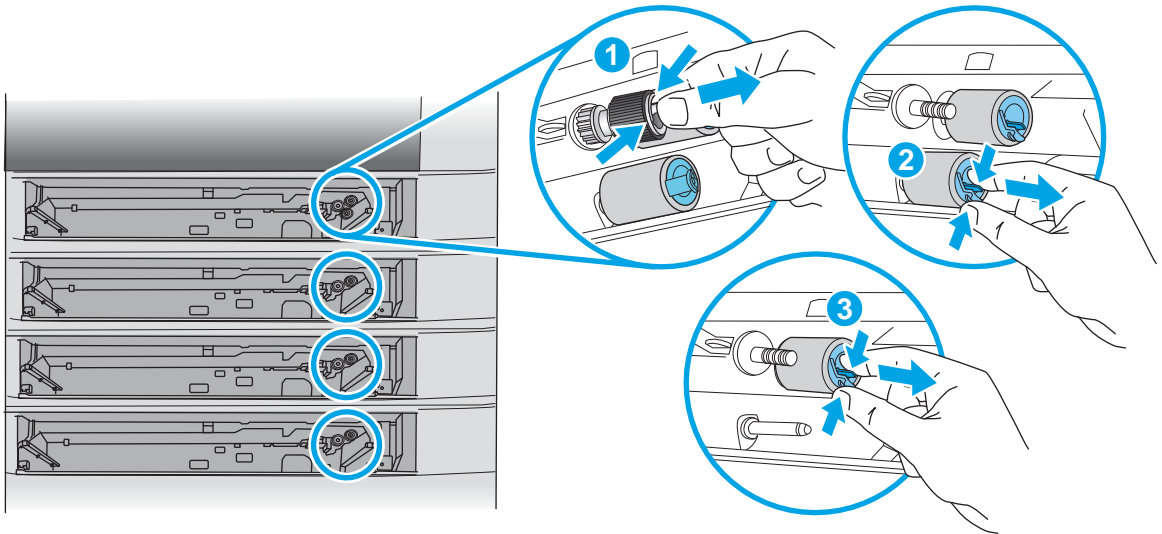
4. Locate the pickup and feed rollers.

Figure 1-194 Locate the pickup and feed rollers



5. Pinch the tab on the pickup roller or feed roller to release it, and then slide the roller off of the shaft.

Figure 1-195 Remove the rollers



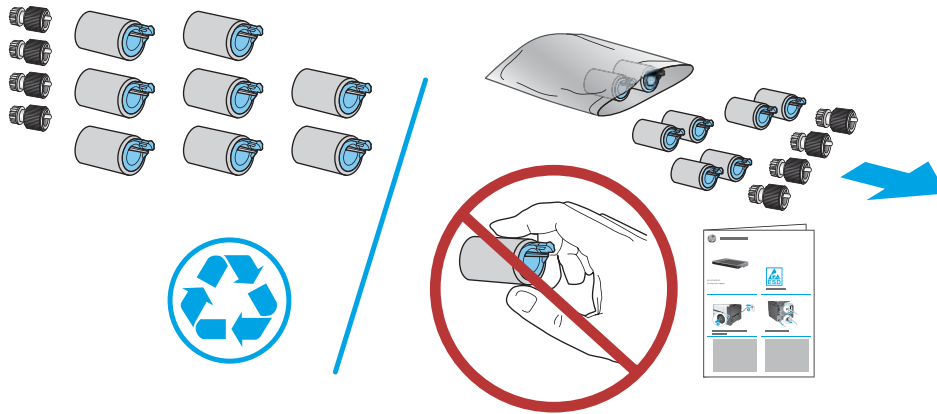
Step 2: Unpack the replacement rollers

Unpack the replacement assemblies from the packaging.

CAUTION: Avoid touching the surface of the replacement rollers. Skin oils on the rollers can cause print-quality problems. Thoroughly wash your hands with soap and water to remove skin oils, and then completely dry them.

www.Product return and recycling

NOTE: HP recommends responsible disposal of the defective assemblies.

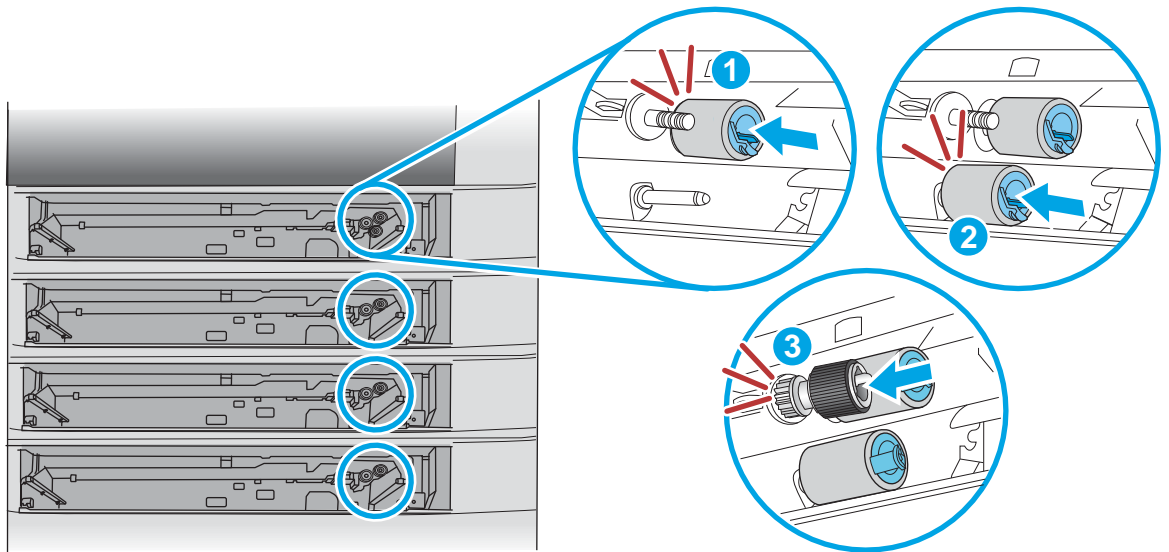


Step 3: Install the Tray 2 - 5 pickup and feed rollers

1. Slide the pickup and feed rollers on the shaft to install them.

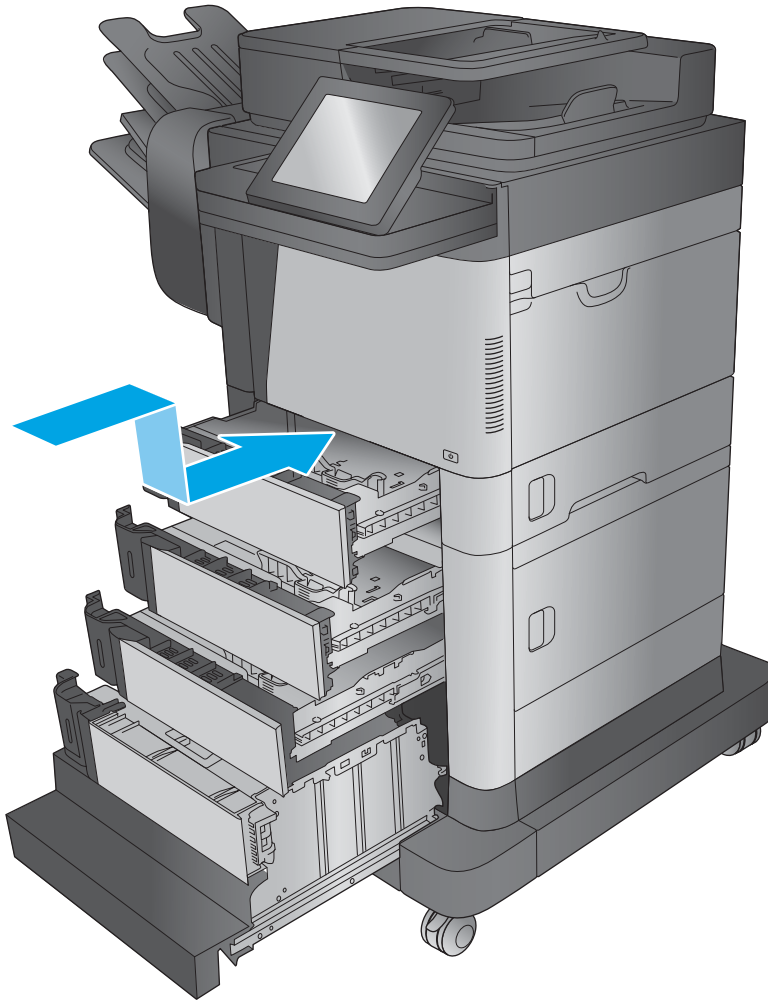
TIP: When the rollers are fully installed, an audible click is heard.

Figure 1-196 install the rollers



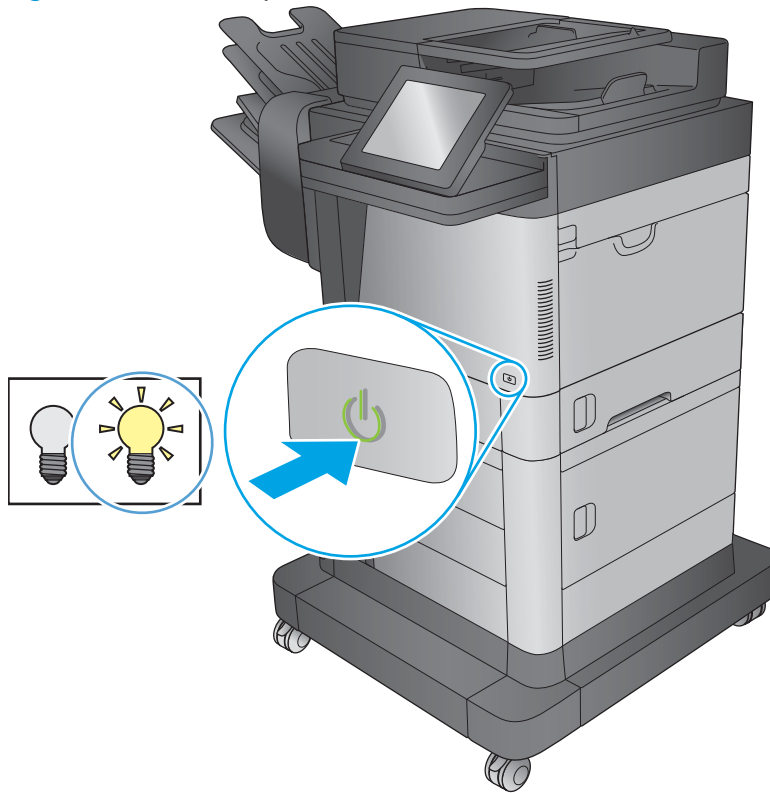
2. Install the tray or trays.

Figure 1-197 Install the tray or trays



3. Use the power switch to turn the product power on.

Figure 1-198 Turn the power on



Parts Return

www.Product return and recycling.